



# COST LESS LIGHTING

## 3" LED Down Light Housings

### APPLICATIONS

Energy efficient recessed LED square can and module produces 600 lumens of light with just 9 watts of power, saving 75% compared to incandescent sources. Dimmable with most standard incandescent and low voltage dimmers.

### FEATURES

- Galvanized steel construction plaster frame-in with J-Box and captive hanger bar with real nail.
- Accessible to LED engine from below the ceiling.
- LEDs are mounted directly to cast aluminum housing providing superior thermal management to ensure long life.
- $\geq 80$  or  $\geq 90$  CRI
- Accommodates 120 volts AC at 60Hz.
- Dimmable with most standard incandescent, magnetic low voltage and electronic low voltage dimmers.
- 2700K, 3000K, 4000K, 5000K available.
- Rated for 50,000 hours at 70% lumen maintenance.
- 120-277V available (Dimmable at 120V only)
- Durable thermoplastic construction.
- 5 year warranty.
- Tested in accordance with IESNA LM79 & LM80.

### STANDARD



### PRODUCT PARAMETER

MODEL	DESCRIPTION
11-R350ICATLEDNND-Qn	3½" Dedicated LED IC housing for new construction applications
11-R350ICLEDNRND-Q	3½" Dedicated LED IC housing for remodel applications

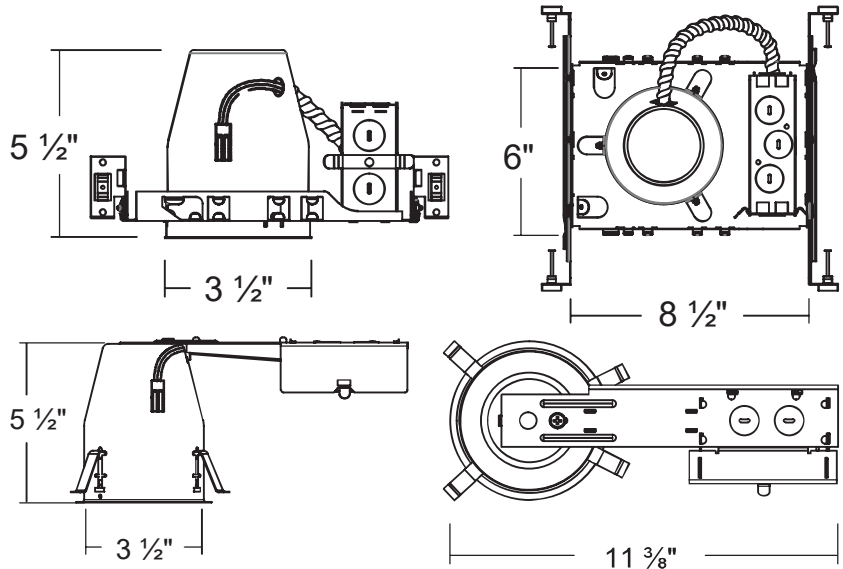
**NEW CONSTRUCTION**  
11-R350ICATLEDNND-Qn



**REMODEL**  
11-R350ICLEDNRND-Q



### DIMENSIONS





# COST LESS LIGHTING

## 3" LED Down Light Trims

### APPLICATIONS

Ideal for both remodel or new construction applications, our 3" LED Retrofit kit is compatible with most 3" recessed standard housings. The retrofit kit comes with a disconnect screw-in base lead for easy installation into standard incandescent sockets.

### FEATURES

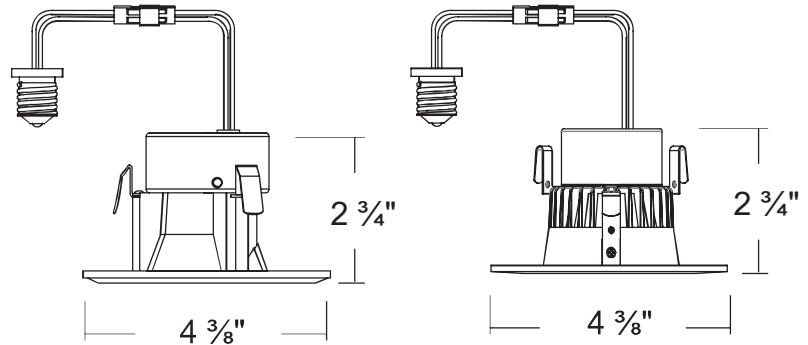
- White painted Diecast body is appropriate for heat dissipation.
- Oversized trim ring constructed from one-piece diecast.
- 3 Tension clips pre-installed on unit for easy installation.
- $\geq 80$  or  $\geq 90$  CRI
- E26 medium screw-base Edison connector provides easy retrofit of incandescent housings. (GU10 and GU24 socket adaptor available - sold separately).
- Protected LED driver performs at 120V (120-277V available).
- CCT 2700K, 3000K, 4000K, 5000K available.
- Dimming down to 5% with most dimmers (at 120V only).
- Long life LED chips guaranteed up to 50,000 hours.
- Guaranteed five years from the purchase date of the product, against mechanical defects in manufacturing.
- Tested in accordance with IESNA LM79 & LM80.



**Available In:**  
2700K, 3000K, 4000K,  
5000K

**Available In:**  
White, Black, Satin Nickel  
& Bronze

### DIMENSIONS



### STANDARD



### PRODUCT PARAMETER

MODEL	DESCRIPTION	INPUT VOLTAGE	CRI	WATTS	LUMENS
11-3RKT-BW-3K	3" LED Round Baffle Retrofit Kit	120V	$\geq 90$	9	560
11-3RKT-BW-3K	3" LED Round Baffle Retrofit Kit	120V	$\geq 90$	9	560
11-3RKT-BWSQ-3K	3" LED Square Baffle Retrofit Kit	120V	$\geq 90$	9	470
11-3RKT-BWSQ-3K	3" LED Square Baffle Retrofit Kit	120V	$\geq 90$	9	470