



COST LESS LIGHTING

2" LED Down Light Housings

APPLICATIONS

Energy efficient recessed LED square can and module produces 600 lumens of light with just 9 watts of power, saving 75% compared to incandescent sources. Dimmable with most standard incandescent and low voltage dimmers.

ILLUMINATION

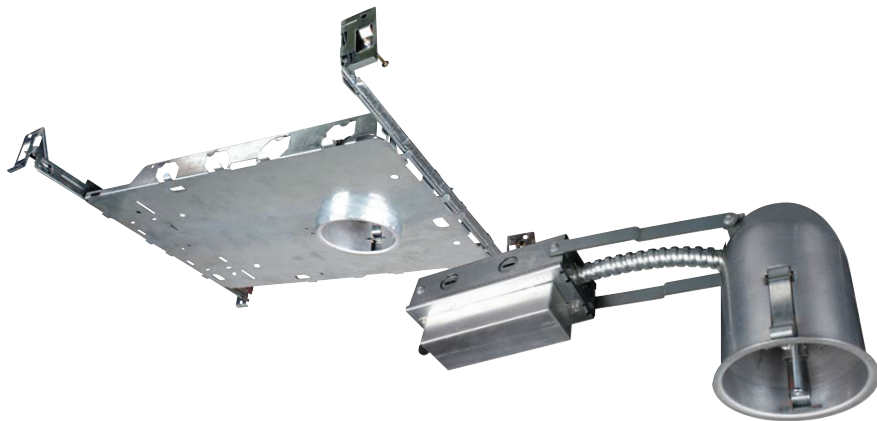
- Long life LEDs with up to 50,000 hours at 70% lumen maintenance.
- Uses high power, high quality LEDs.
- Produces 600 lumens output from luminaire with a CCT of 3000K.
- Dimmable with most standard incandescent and low voltage dimmers.

HOUSING

- Galvanized steel construction.
- Selective models for use with insulated and non-insulated ceilings.
- Housing on IC (insulated ceiling) model can be removed from frame to provide access to junction box.

ELECTRICAL

- LED Driver with 120V input voltage.
- CRI \geq 90.
- Power consumption: 9 watts.



WARRANTY/LISTING

- Tested in accordance with IESNA LM79 & LM80.
- cULus Listed for damp and wet locations (not suitable for coastal/salt water area).
- Energy Star qualified.
- Operating temperatures of -30°C to 40°C .
- Meets State of California Title 24 requirements.
- Five year warranty on all electronics and housing.
- Certified under ASTM-E283 for airtight construction (new construction models only).

MOUNTING

- Integral T-bar installation slots on new construction models.
- Two clips provided to secure can to housing on remodel cans.
- Bar hangers on new construction models are adjustable from $13\frac{5}{8}''$ to $25''$ and can be repositioned 90° on plaster frame.
- Pre-installed real nail on new model easily installs in regular and engineered lumber.

STANDARD

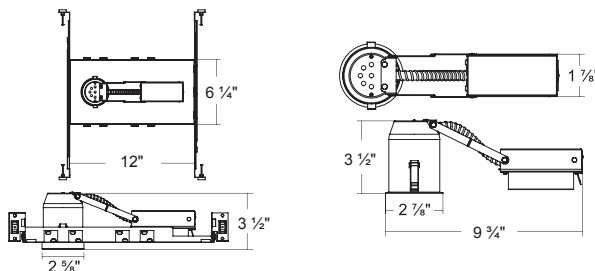


(Not suitable for coastal/salt water area)

PRODUCT PARAMETER

MODEL	DESCRIPTION
11-R2LEDN-AT-QN	2" Non-IC LED new construction can with driver
11-R2LEDICN-AT-QN	2" IC AT LED new construction can with driver
11-R2LEDR-Q	2" Non-IC LED remodel can with driver

DIMENSIONS



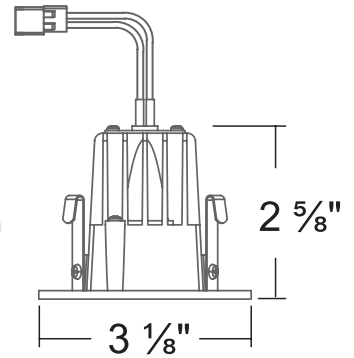
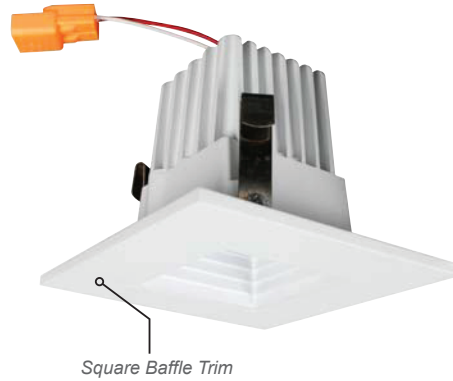


COST LESS LIGHTING

2" LED Down Light Trims

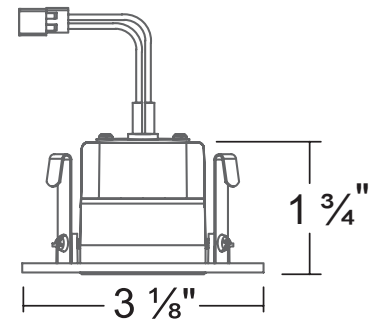
11-LED-2T-BW-SQ-3K

Trim: Square baffle
 Finish: White
 8.88 watt • 620 Lumens



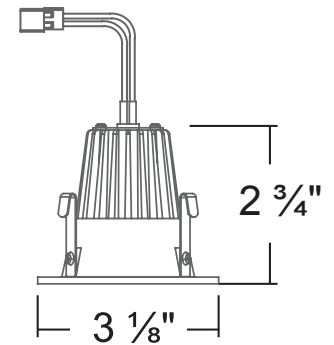
11-LED-2T-6RW-SQ-3K

Trim: Adjustable Square Gimbal
 Finish: White
 8.64 watt • 636 Lumens



11-LED-2T-BW-3K

Trim: Baffle
 Finish: White
 8.64 watt • 694 Lumens



STANDARD



(Not suitable for coastal/salt water area)

PRODUCT PARAMETER

MODEL	DESCRIPTION	INPUT VOLTAGE	CRI	WATTS	LUMENS	LUMENS/WATT	COLOR TEMP.
11-LED-2T-BW-3K	2" LED Trim / Baffle	120V @ 50Hz / 60Hz	≥90	9	600	75	3000K
11-LED-2T-BW-SQ-3K	2" LED Trim / Square Baffle	120V @ 50Hz / 60Hz	≥90	9	600	75	3000K
11-LED-2T-6RW-SQ-3K	2" LED Trim / Adjustable Square Baffle	120V @ 50Hz / 60Hz	≥90	9	600	75	3000K