



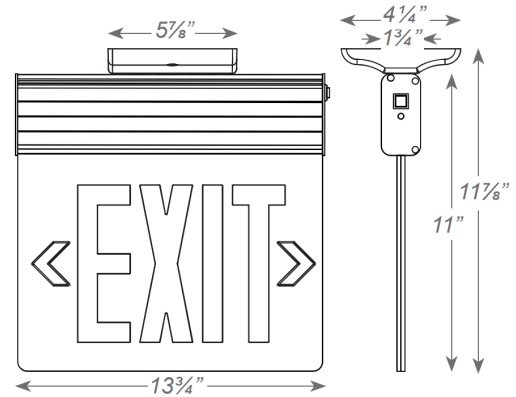
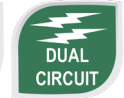
PROJECT	TYPE	CATALOG #



Standard



Optional



MODEL	NUMBER OF FACES	LETTER COLOR	PANEL	HOUSING COLOR	BATTERY	OPTIONS
04-XEDU	Single Face Double Face	Red Green	Clear* Mirror White	White Black Aluminum	AC only Emergency Driver	Dual Circuit with 120V input** Dual Circuit with 227V input** Self Diagnostic*** Assembled in USA Custom Wording 208/220/240V, 50/60Hz****

Specifications

Housing

- Premium-grade, extruded aluminum housing (also available in optional black or white powder-coated finishes).
- Self-adhesive Chevron appliques and guide template provided for directional indication.

Electrical

- Dual 120/277 voltage standard.
- Charge rate/power "ON" LED indicator light and push-to-test switch for mandated code compliance testing.
- 4.8V long life, maintenance-free, rechargeable NiCd battery (EM models only).
- Internal solid-state transfer switch automatically connects the internal battery to LED board for minimum 90-minute emergency illumination.
- Fully automatic solid-state, two rate charger initiates battery charging to recharge a discharged battery in 24 hours.

Illumination

- Ultra bright, energy efficient, long life Red or Green LEDs.
- UV-stabilized ultra-clear acrylic edgelit panel provides consistent, uniform illumination.
- Double face utilizes factory installed silver or white mylar background panel.

Mounting

- Aluminum mounting canopy included for top, end or back mount.

Code Compliance

- Meets UL924, NFPA 101 Life Safety Code, NEC, OSHA, Local and State Codes.
- UL Listed for damp locations (0°C – 50°C).
- Certified to CEC under Title 20 Regulations.

Warranty

- Five year warranty on all electronics and housing. Battery prorated for five years.

Options

- 2C-120V/2C-277V: Voltage-specific dual circuit option on the AC-only unit enables it to be connected to two different supplies at the same time.
- SDT: Self-diagnostic feature performs monthly, biannual, and annual tests to ensure reliable operation and meets electrical and life safety codes.
- USA: Substantial transformation assembly in the U.S. complies with "Assembled in the USA" under the Buy American Act.
- SPV: UL Listed for 208/220/240 Volt, 50/60Hz.
- Custom: Signs available with requested 'special' wording.

*With single face only.

**Not available with EM units.

***Available only with EM units.

****Not available with SDT.



Electrical Information

PART NUMBER	INPUT WATTS					INPUT AMPS				
	120V	227V	208V	220V	240V	120V	277V	208V	220V	240V
04-XEDU RED/GREEN/EM SPV	3.6	4.0	3.9	3.93	3.98	0.03	0.02	0.022	0.022	0.02
04-XEDU RED/GREEN/SDT/2C	3.6	4.0	-	-	-	0.03	0.02	-	-	-