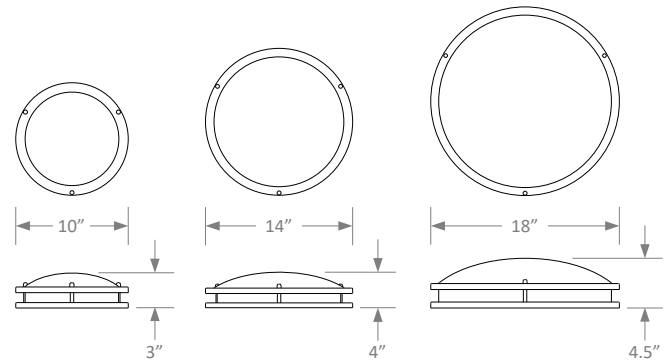




PROJECT	TYPE	CATALOG #



DR10 = 1.4 lbs
 DR14 = 2.2 lbs
 DR18 = 3.3 lbs

Sample Part: 05-DR14-10L-KFS

MODEL	NOMINAL LUMEN OUTPUT (SELECTABLE)	KELVIN (SELECTABLE)
05-DR10	10L = 1,000 lm	KFS = 2.7K / 3K / 3.5K / 4K / 5K
05-DR14	18L = 1,800 lm	
05-DR18	20L = 2,000 lm	

Specifications

Housing

- Steel housing, brushed nickel finish.
- Polystyrene lens.

Electrical

- Input voltage = 120V 60Hz.
- Power factor > 0.90.
- Triac dimming.

Optical System

- Field selectable 2700k (soft white), 3000k (warm white), 3500k (warm/neutral white), 4000k (neutral white), and 5000k (cool white) color temperatures.
- Long-life LEDs provide at least 70% of initial lumen output (L70) for 93,000 hours of operation.**
- Color rendering index (Ra) > 90.
- 05-DR10 provides 1,000 nominal lumens from 15 nominal watts.
- 05-DR14 provides 1,800 nominal lumens from 20 nominal watts.
- 05-DR18 provides 2,000 nominal lumens from 20 nominal watts.

Mounting

- Easy installation in new construction or remodel applications.

**L₇₀ hours are IES TM 21 11 calculated hours.

Code Compliance

- cETLus listed for damp locations in ambient temperatures of -15°C to 40°C (5°F to 104°F).
- Energy Star qualified.
- Title 24 qualified.
- Complies with FCC Part 15, class B.
- Input transient protection = 1kV.

Warranty

- 5-year warranty of all electronics and housing.

Compatible Dimmers

Manufacturer/Series	Model Number
Lutron Diva	DVCL-153PR-WH
Lutron Diva	CTCL-153PDH-WH
Lutron Diva	TGCL-153PH-WH
Lutron Diva	MACL-153MH-WH
Lutron Diva	P-PKG1W-WH-R
Leviton	R62-06674-POW
Leviton	R12-06672-1LW
Leviton	R50-IPL06-10M
Eaton	SAL06P-LA-K