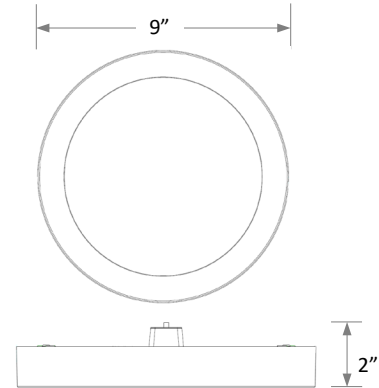




PROJECT	TYPE	CATALOG #



Shown with brushed nickel finish



Weight: 2 lbs.

Example: 05-DL9-11L-KFS-WH

MODEL	NOMINAL LUMEN OUTPUT	KELVIN (SELECTABLE)	HOUSING COLOR
05-DL9	11L = 1,100 lumens	KFS = 2.7K/3K/3.5K/4K/5K	WH = White N = Brushed Nickel BZ = Bronze

Specifications

Housing

- Aluminum housing.
- White, nickel, or bronze housing color.
- Glass lens.

Electrical

- 18 nominal watts.
- Input voltage = 120V 60Hz.
- Power factor > 0.90.
- Triac dimming.

Optical System

- Field selectable 2700k (soft white), 3000k (warm white), 3500k (warm/neutral white), 4000k (neutral white), and 5000k (cool white) color temperatures.
- Long-life LEDs provide at least 70% of initial lumen output (L70) for 119,000 hours of operation.**
- Color rendering index (Ra) > 90.
- 1,100 nominal lumens.

Mounting

- Easy installation in new construction or remodel applications.
- This device is not intended for use with emergency exits.

Code Compliance

- cETLus listed for damp locations in ambient temperatures of -15°C to 40°C (5°F to 104°F).
- Energy Star qualified.
- Title 24 qualified.
- Complies with FCC Part 15, class B.
- Input transient protection = 2.5kV.

Warranty

- 5-year warranty of all electronics and housing.

Compatible Dimmers

Manufacturer/Series	Model Number
Lutron Diva	DVCL-153PR-WH
Lutron Diva	CTCL-153PDH-WH
Lutron Diva	TGCL-153PH-WH
Lutron Diva	MACL-153MH-WH
Lutron Diva	P-PKG1W-WH-R
Leviton	R62-06674-P0W
Leviton	R12-06672-1LW
Leviton	R50-IPL06-10M
Eaton	SAL06P-LA-K

**L₇₀ hours are IES TM 21 11 calculated hours.