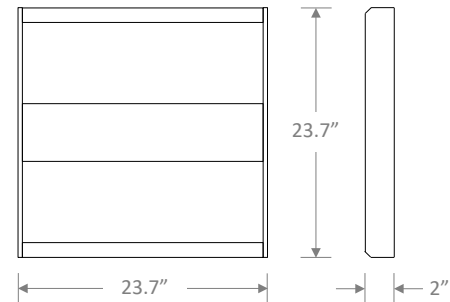




| PROJECT | TYPE | CATALOG # |
|---------|------|-----------|
| | | |



Weight: 7 lbs.

Example: 05-CB22-4L-LKFS-EM13

| MODEL | NOMINAL LUMEN OUTPUT | KELVIN (SELECTABLE) | EXTERNALLY INSTALLED EMERGENCY DRIVERS* |
|---------|----------------------|---------------------|---|
| 05-CD22 | 4L = 4,000 lumens | LKFS = 3.5K/4K/5K | EM5 = 755 lumens EM10 = 1,617 lumens EM13 = 1,940 lumens Blank = no emergency driver |

Specifications

Housing

- Steel housing and PMMA lens.

Electrical

- Universal 120-277 AC voltage (50-60Hz) is standard.
- 0-10vdc, continuous dimming capability is standard.
- Power factor > 0.90.
- Total harmonic distortion < 20%.

Optical System

- Field selectable 3500k (warm/neutral white), 4000k (neutral white) & 5000k (cool white) color temperatures.
- Long-life LEDs provide at least 196,000 hours of operation with at least 70% of initial lumen output (L70).**
- Provides a range of 3,000 to 4,300 nominal lumens.
- Uniform illumination with no visible LED pixilation.
- Color rendering index (Ra) > 80.

Mounting

- Easy installation in new construction or retrofit. Fits in standard 2' x 2' grid ceilings.
- Built-in earthquake clips provide secure installation in grid ceilings.
- Standard mounting options include recessed mounting in grid ceilings, or suspended mounting using earthquake clips. For other mounting options, see Mounting Means (page 4).

Code Compliance

- cULus listed for damp locations and insulated ceilings in ambient temperatures from -25°C to 50°C (-13°F to 122°F).
- UL listed for maximum of 4, 12 AWG through branch circuit conductor.
- Type IC rated for insulated ceilings.
- Low risk of flicker (per IEEE1789-2015) at 100% light output level.
- Complies with FCC Part 15, class A.
- Complies with IEEE C.62.41-2002, input transient surge protection (2.5kV).

Warranty

- 5-year warranty of all electronics and housing.

*See emergency driver compatibility list (page 2).

**L₇₀ hours are IES TM 21 11 calculated hours.



Compatible Emergency Drivers*

| Emergency Driver Part Number | EM5 | | EM10 | | EM13 | |
|------------------------------|-------|-----------|-------|-----------|-------|-----------|
| | Watts | EM Lumens | Watts | EM Lumens | Watts | EM Lumens |
| 05-CB22-4L-LKFS | 5.0 | 755 | 10.7 | 1617 | 13.7 | 1940 |

* Suitable for ambient temperatures above 10°C (50°F).

Accessories (order separately)

Remote Mount Emergency Drivers*

03-BLEM-CP-5C = Emergency driver - EM5

03-BLEM-CP-10C = Emergency driver - EM10

03-BLEM-CP-13C = Emergency driver - EM13

* Suitable for ambient temperatures above 10°C (50°F).

Compatible Dimmers and Controls

| Manufacturer | Model Number | Dimming Range | Load Switching Capacity |
|--------------------|---------------|---------------|-------------------------|
| Cost Less Lighting | 13-DWS-010V-T | 10%-100% | 600W |
| Cost Less Lighting | 13-DWS-010V-D | 10%-100% | 600W |
| Leviton | IP710-LFZ | 10%-100% | 1200W |
| Lutron | DVSTV | 10%-100% | 450W |



Electrical Data

| Series | Measurements | Low Lumens | | | Mid Lumens | | | High Lumens | | |
|-----------------|-------------------|--------------|--------------|--------------|--------------|--------------|--------------|--------------|--------------|--------------|
| | | 3500K | 4000K | 5000K | 3500K | 4000K | 5000K | 3500K | 4000K | 5000K |
| 05-CB22-4L-LKFS | Lumens | 3073 | 3176 | 3120 | 3640 | 3772 | 3649 | 4220 | 4370 | 4196 |
| | Watts | 22 | 22 | 22 | 27 | 27 | 27 | 32 | 31 | 32 |
| | Efficacy | 137 | 144 | 139 | 134 | 142 | 134 | 131 | 140 | 131 |
| | Input Current (A) | 120V = 0.18A | 120V = 0.18A | 120V = 0.18A | 120V = 0.23A | 120V = 0.23A | 120V = 0.23A | 120V = 0.27A | 120V = 0.26A | 120V = 0.27A |
| 240V = 0.09A | | 240V = 0.09A | 240V = 0.09A | 240V = 0.11A | 240V = 0.11A | 240V = 0.11A | 240V = 0.13A | 240V = 0.13A | 240V = 0.13A | |
| 277V = 0.08A | | 277V = 0.08A | 277V = 0.08A | 277V = 0.10A | 277V = 0.10A | 277V = 0.10A | 277V = 0.12A | 277V = 0.11A | 277V = 0.12A | |

Photometric Data

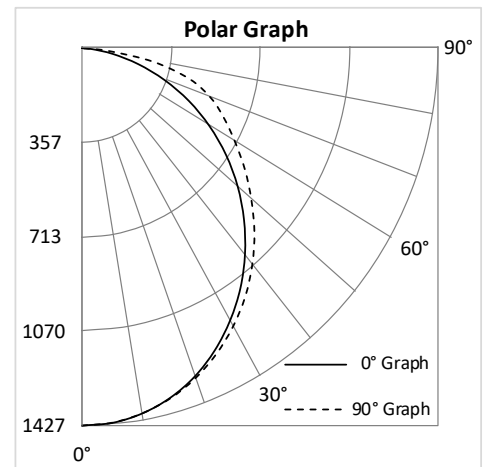
05-CB22-4L-LKFS

Luminaire Data

| Description | Center Basket 2X2 4L 5K - LKFS |
|-----------------------------|-----------------------------------|
| Total Lumens | 4,205 |
| Input Wattage | 32 |
| Efficacy (lm/W) | 131 |
| Spacing Criterion (0-180°) | 1.24 |
| Spacing Criterion (90-270°) | 1.28 |

Zonal Lumen Summary

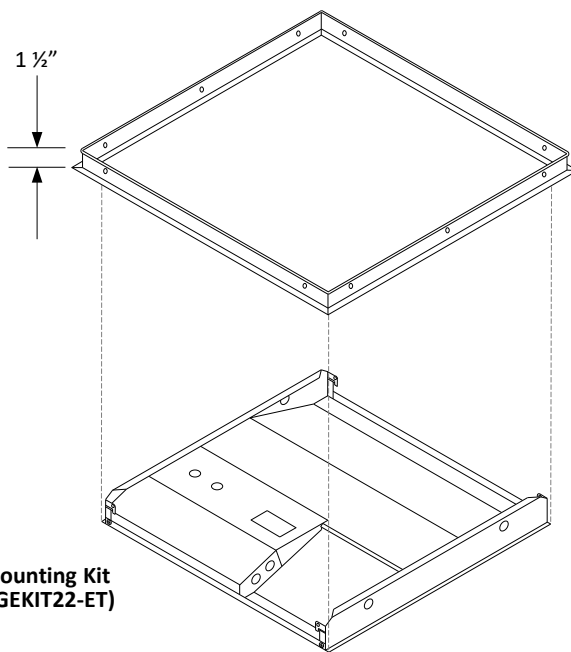
| Zone | Lumens | %Fixt |
|---------|--------|--------|
| 0-20° | 521 | 12.4% |
| 0-30° | 1,104 | 26.3% |
| 0-40° | 1,807 | 43.0% |
| 20-50° | 2,017 | 48.0% |
| 40-70° | 1,936 | 46.0% |
| 0-60° | 3,206 | 76.2% |
| 0-80° | 4,102 | 97.5% |
| 0-90° | 4,202 | 99.9% |
| 90-180° | 3 | 0.1% |
| 0-180° | 4,205 | 100.0% |





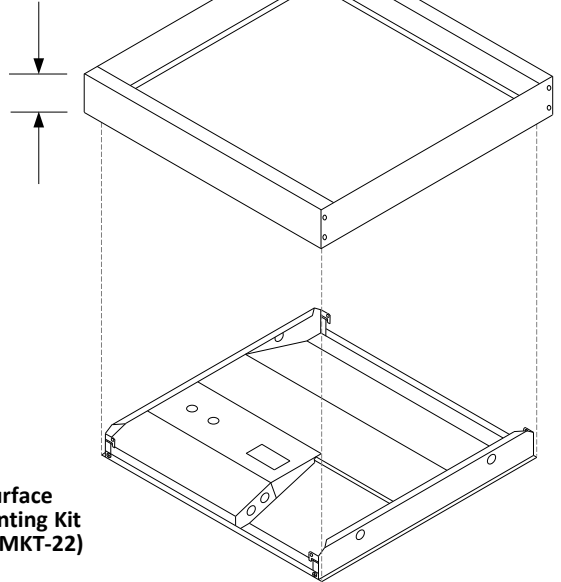
Mounting Means (sold separately)

- Optional surface mounting kits (05-SMKT-22) mounts below the ceiling.
- Optional flange mounting kits provide for recessed installation on plaster or other hard ceilings. Attach Flange Mount Kit (05-FLANGEKIT22-ET) to ceiling joists or other stationary structures, and the panel is mounted flush to the ceiling.
- Optional cable mounting kits provide additional security, as well as suspended mounting. Attach one end of the Cable Mount Kit (05-PNL-CM) to luminaire earthquake clips using spring clips, and attach the other end to stationary structures using the adjustable, locking ceiling attachment (see picture below right).



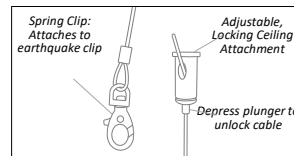
Flange Mounting Kit (05-FLANGEKIT22-ET)

3 3/4"



Surface Mounting Kit (05-SMKT-22)

Cable Mounting Kit (05-PNL-CM)



Cable Mount Kit:

- Spring Clip
- Adjustable, locking ceiling attachment