



PROJECT	TYPE	CATALOG #



Model	Size (inches) & Weight (lbs)			
	L (in)	W (in)	H (in)	Weight
05-PNL2X2-40L-LKFS-PRM	23.7	23.7	1.5	4

Series	Maximum Lumens	Lumen Output/ Kelvin Selectable	MODEL	Emergency Driver		Dimmer
				Lumen selectable	Kelvin selectable	
05-PNL2X2	40L	LKFS*	PRM	Blank	No Emergency Driver	DWS-010-T DWS-010-D IP710-DLZ
				EM5	5W Emergency Driver	
				EM10	10W Emergency Driver	
				EM13	13W Emergency Driver	

* Field Selectable

Specifications

Housing

- Aluminium frame and steel housing backplate.
- Premium powder coated white housing.

Electrical

- Operating temperature (ambient): -20°C to 40°C (-4°F to 104°F).
- Universal 120-277V AC voltage (50-60Hz) is standard.
- 0-10VDC dimming drivers are standard.
- Input transient surge protection =1kV.
- Optional Emergency drivers are available.
- Type IC-rated.
- PF > 0.9 ; THD < 20%.

Optical System

- PMMA (Polymethyl methacrylate) LED lenses for optimal light distribution, efficiency and longevity.
- Field selectable 3500k (warm white), 4000k(neutral white) and 5000k (cool white) color temperatures*.
- Tri-Lumen selectable, outputs range from 2,700 to 4,000 nominal lumens**.
- Long-life LEDs provide 144,000 hours of operation with at least 70% of initial lumen output (L70), and 44,000 hours with at least 90% of initial lumen output (L90)***.
- Uniform illumination with no visible LED pixilation.
- Color rendering index > 80%.

Mounting

- Recessed mounting in grid ceilings is standard.
- Standard earthquake clips provide secure installation in grid ceilings.
- Optional Surface Mounting Kits (05-SMKT-22) and Flange Mounting Kits (05-FLANGEKIT22-ET) provide for installation on plaster or other hard ceilings.
- Optional Cable Mounting Kits (05-PNL-CMK) provide additional security, as well as suspended mounting.

Code Compliance

- cULus listed for damp locations and insulated ceilings.
- Flicker-free per IEEE1789-2015 (no observable adverse effects of flicker at 100% light output level).
- Complies with FCC part 15, class B.

Warranty

- 5-year warranty on all electronics and housing.

* Default kelvin temperature = 4000k.

** Default power setting = highest lumen output.

***L₇₀ & L₉₀ hours are IES TM-21-11 calculated hours.



Accessories (order separately)

Dimmer Option:

- 05-DWS-010-T = 0-10V dimmer, toggle switch
- 05-DWS-010-D = 0-10V dimmer, decoration switch
- 05-IP710-DLZ = 0-10V dimmer, button switch

Mounting Option:

- 05-SMKT-22 = Surface Mount Kit for 2X2 Back-lit Panel.
- 05-FLANGEKIT22-ET = Recessed Flange Mount Kit for 2X2 Back-lit Panel.
- 05-PNL-CM = Cable Mount Kit for Back-lit Panel.
- 05-PNL-JBEXT = Junction Box Extender for 2X2 Back-lit Panel.

Compatible Emergency Driver

Emergency Driver Part Number	EM5		EM10		EM13	
Model	Watts	EM Lumens	Watts	EM Lumens	Watts	EM Lumens
05-PNL2X2-40L-LKFS-PRM	5	650	10	1300	13	1690

Compatible Dimmers & Controls

Manufacturer	Model Number	Dimmer Range	Load Switching Capacity
Leviton	IP710-LFZ	10%-100%	1200W
Lutron	DVSTV	10%-100%	450W



Electrical Data

Series	Measurements	Low Lumens			Mid Lumens			High Lumens		
		3500K	4000K	5000K	3500K	4000K	5000K	3500K	4000K	5000K
05-PNL2X2-40L-LKFS-PRM	Lumens	2733	2802	2810	3632	3810	3743	4072	4290	4179
	Watt	20	19	20	28	27	28	32	32	32
	Efficacy	136	145	141	131	142	136	126	135	130
	Input Current (A)	120V = 0.17	120V = 0.16	120V = 0.17	120V = 0.23	120V = 0.23	120V = 0.23	120V = 0.27	120V = 0.27	120V = 0.27
240V = 0.08		240V = 0.08	240V = 0.08	240V = 0.12	240V = 0.11	240V = 0.12	240V = 0.13	240V = 0.13	240V = 0.13	
277V = 0.07		277V = 0.07	277V = 0.07	277V = 0.10	277V = 0.10	277V = 0.10	277V = 0.12	277V = 0.12	277V = 0.12	

Photometric Data

05-PNL2X2-40L-LKFS-PRM

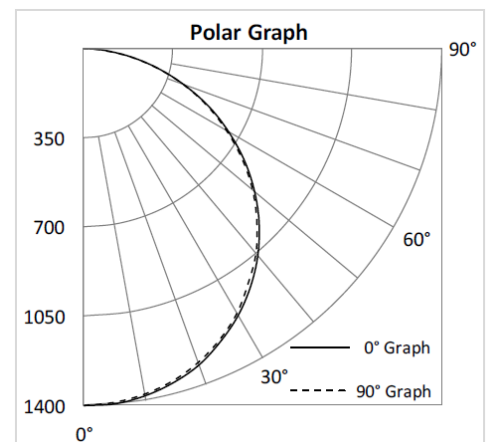
Luminaire Data

Description	Premium Back Lit Panel 2X2 40L 5K - LKFS
Total Lumens	4,179
Input Wattage	32
Efficacy (lm/W)	130
Spacing Criterion (0-180°)	1.3
Spacing Criterion (90-270°)	1.28

Photometrics calculated at 5000k-high lumens setting

Zonal Lumen Summary

Zone	Lumens	%Fixt
0-20°	514	12.3%
0-30°	1,098	26.3%
0-40°	1,810	43.3%
20-50°	2,043	48.9%
40-70°	1,962	46.9%
0-60°	3,240	77.5%
0-80°	4,087	97.8%
0-90°	4,175	99.9%
90-180°	4	0.1%
0-180°	4,179	100.0%





Cords & Plugs

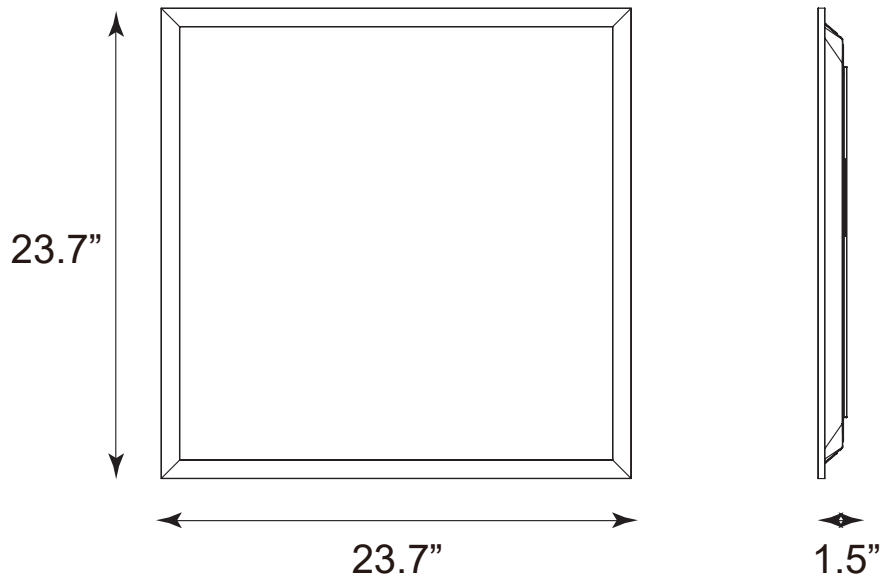
When ordering a plug, use the following suffix choices.

Example: 05-PNL2X2-40L-LKFS-PRM

Note: plugs do not affect the ability to install sensors.

Part number suffix	Description	For use with
6W3	6' whip - 3 conductor (black/white/green)	Standard & UNC
6W4	6' whip - 4 conductor (black/white/green/red)	EM driver
6W5	6' whip - 5 conductor (black/white/green/purple/pink)	Dimming (standard & UNC)
6W6	6' whip - 6 conductor (black/white/green/red/purple/pink)	Dimming & EM driver

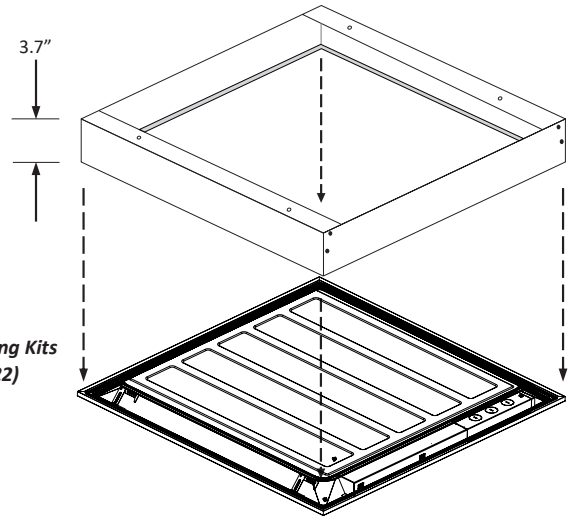
Dimensional Drawings



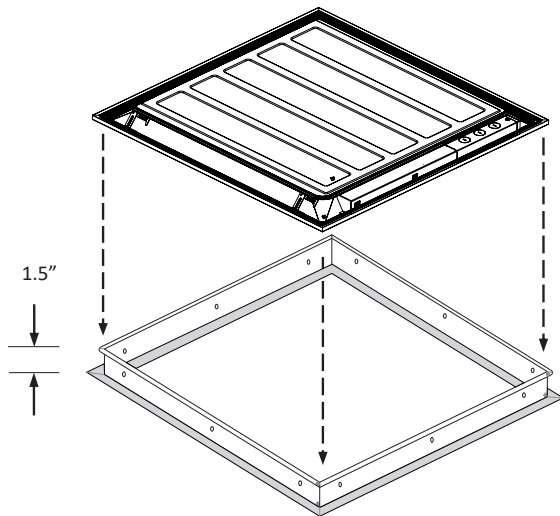


Mounting Means - Order separately

- Optional Surface Mounting Kit (05-SMKT-22) mounts below the ceilings.
- Optional flange mounting kits provide for recessed installation on plaster or other hard ceilings. Attached Flange Mount Kit (05-FLANGEKIT22-ET) to ceiling joists or other stationary structures, and the panel is mounted flush to the ceiling.
- Optional cable mounting kits provide additional security, as well as suspended mounting. Attach one end of the Cable Mount Kit (05-PNL-CM) to luminaire earthquake clips using spring clips, and attach the other end to stationary structures using the adjustable, locking ceiling attachment (see picture below right).



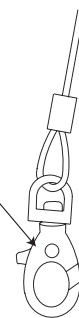
Surface Mounting Kits
(05-SMKT-22)



Flange Mount Kit
(05-FLANGEKIT22-ET)

Spring Clip:
Attaches to earthquake clip

Cable Mount Kit
(05-PNL-CM)



Adjustable,
Locking Ceiling Attachment

Depress plunger to unlock cable

