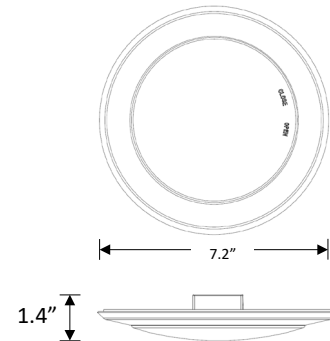




PROJECT	TYPE	CATALOG #



Weight: 0.5 lbs.

Example: 11-DK6-10L-KFS

MODEL	NOMINAL LUMEN OUTPUT	KELVIN (SELECTABLE)
11-DK6	10L = 1,000 lumens	KFS = 2.7K/3K/3.5K/4K/5K

## Specifications

### Housing

- Steel housing.

### Electrical

- 15 nominal watts.
- 120 AC voltage (60Hz) is standard.
- Power factor > 0.90.
- Triac dimming.

### Optical System

- Field selectable 2700k (soft white), 3000k (warm white), 3500k (warm/neutral white), 4000k (neutral white), and 5000k (cool white) color temperatures.
- Long-life LEDs provide at least 70% of initial lumen output (L70) for 119,000 hours of operation.\*\*
- Color rendering index (Ra) > 80.
- 1,000 nominal lumens

### Mounting

- Easy installation in new construction or retrofit applications.
- Covered ceiling mount only.

### Code Compliance

- cETLus listed for wet locations.
- Energy Star certified.
- Compatible for new construction and retrofit applications.
- Complies with FCC Part 15, class B.
- Complies with EN61000-4-5 surge protection (0.5kV).

### Warranty

- 5-year warranty of all electronics and housing.

\*\*L<sub>70</sub> hours are IES TM 21 11 calculated hours.