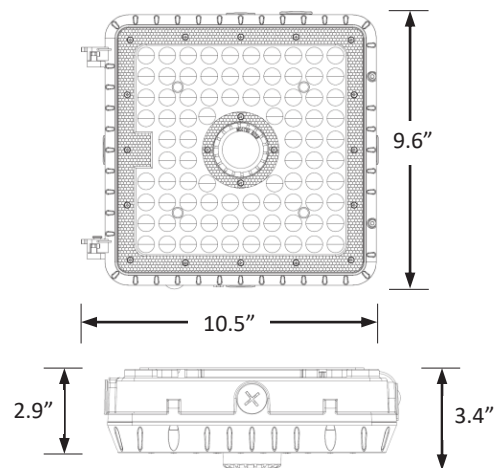


p. 866.633.6883 • f. 866.699.8099 • CostLessLighting.com



Weight: 5 lbs.

MODEL	NOMINAL LUMENS	KELVIN SELECTABLE		OCCUPANCY SENSOR		HOUSING COLOR	ACCESSORIES (ORDER SEPARATELY)
06-CP	7L = 7,000 8L = 8,000 10L = 10,000	LKFS	3000k/4000k/5000k	ODS ^{1 2 3}	Microwave occupancy, dimming, & daylight sensor (factory installed)	BRZ = Bronze	MH01 = Sensor remote control
				Blank	No Sensor	WHT = White	

FEATURES

- Field selectable 3000k (warm white), 4000k (neutral white), and 5000k (cool white) color temperatures.
- Long-life LEDs provide 149,000 hours of operation with at least 70% of initial lumen output (L70), and 44,000 hours with at least 90% of initial lumen output (L90).*
- LED chromaticity based on < 6-step ANSI quadrangles.
- LED color maintenance < 0.002 chromaticity shift ($\Delta u'v'$) over the initial 6,000 hours of operation.
- CP-10L-LKFS provides a range of 6,800 to 10,500 nominal lumens.
- Universal 120-277 AC voltage (50-60Hz) is standard.
- 0-10vdc dimming drivers are standard.
- Mounting options include surface-mounting and pendant-mounting using 3/4" electrical conduit.
- Optional occupancy/daylight sensor provides both on/off and dimming functions.
- Power factor > 0.90.
- Total harmonic distortion < 20%.
- Color rendering index > 80.
- Die cast aluminum housing with dark bronze power coat finish.
- Polycarbonate lens.
- Easy installation in new construction or retrofit.

* L₇₀ & L₉₀ hours are IES TM-21-11 calculated hours.

WARRANTY & LISTINGS

- cULus listed for wet locations in ambient temperatures from -40°C to 40°C (-40°F to 104°F).
- IP65 rated for ingress protection.
- Lens is IK08 rated for impact.
- Complies with FCC Part 15, class B.
- Complies with IEC/EN61000-4-5, input transient surge immunity protection (4kV).
- 5-year warranty on all electronics and housing.

ELECTRICAL DATA

Series	Measurements	Low Lumens			Mid Lumens			High Lumens		
		3000K	4000K	5000K	3000K	4000K	5000K	3000K	4000K	5000K
06-CP-10L-LKFS	Lumens	6821	6962	7228	7800	8248	8312	9297	10,506	9967
	Watts	48	43	47	57	51	57	73	69	73
	Efficacy	143	163	152	137	161	147	127	152	136
	Input Current (A)	120V = 0.40A	120V = 0.36A	120V = 0.39A	120V = 0.48A	120V = 0.43A	120V = 0.48A	120V = 0.61A	120V = 0.58A	120V = 0.61A
240V = 0.20A		240V = 0.18A	240V = 0.20A	240V = 0.24A	240V = 0.21A	240V = 0.24A	240V = 0.30A	240V = 0.29A	240V = 0.30A	
277V = 0.17A		277V = 0.16A	277V = 0.17A	277V = 0.21A	277V = 0.18A	277V = 0.21A	277V = 0.26A	277V = 0.25A	277V = 0.26A	

PHOTOMETRIC DATA

06-CP-10L-LKFS

Luminaire Data

Description	Canopy 10L 5K - LKFS
Total Lumens	9,993
Input Wattage	73
Efficacy (lm/W)	137
Spacing Criterion (0-180°)	1.14
Spacing Criterion (90-270°)	1.04

Zonal Lumen Summary

Zone	Lumens	%Fixt
0-20°	1,245	12.5%
0-30°	2,530	25.3%
0-40°	3,946	39.5%
20-50°	4,143	41.5%
40-70°	4,839	48.4%
0-60°	6,942	69.5%
0-80°	9,872	98.8%
0-90°	9,993	100.0%
90-180°	0	0.0%
0-180°	9,993	100.0%

