

## PRODUCT SPECIFICATION

|             |                    |
|-------------|--------------------|
| MODEL NO    | HD07VR-PH-1        |
| INPUT       | 12VDC              |
| DESCRIPTION | PIR HIGHBAY SENSOR |
| CERTIFICATE | UL (E529048)       |

### DC POWERED BI-LEVEL DIM DUSK/DAWN PIR SENSOR CONTROL(FOR HIGHBAY LIGHT)

SHENZHEN HAISEN TECHNOLOGY CO.,LTD  
13th Floor, C1 Building, Songshan Lake Intelligent Valley,  
Liaobu Town, Dongguan City, 523808, Guangdong.  
Contact us [info@haisensz.com](mailto:info@haisensz.com)  
[www.haisensz.com](http://www.haisensz.com)

Series Work of Art

All Rights Reserved by HAISEN

|                      |            |
|----------------------|------------|
| WRITTEN BY           | 夏勇         |
| CHECKED BY (R&D)     | 陈启东        |
| CONFIRMED BY (SALES) | 周慕         |
| DATE                 | 2022.09.13 |

## Features & Benefits

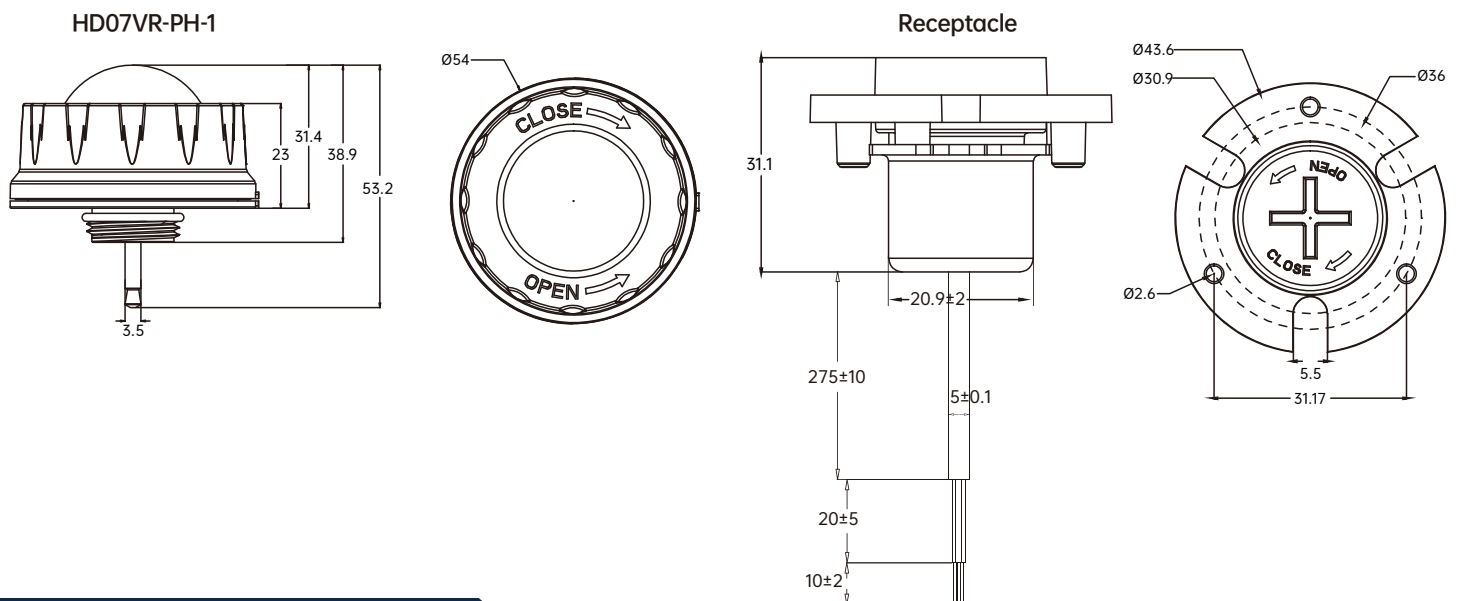


# HD07VR-PH-1



- PIR sensor head, 12VDC powered, remote control.
- Bi-level dimming, daylight threshold and dusk/dawn function.
- With Audio Jack, suitable for UFO highbay application.
- With UL certificate.

## Dimensions Unit:mm

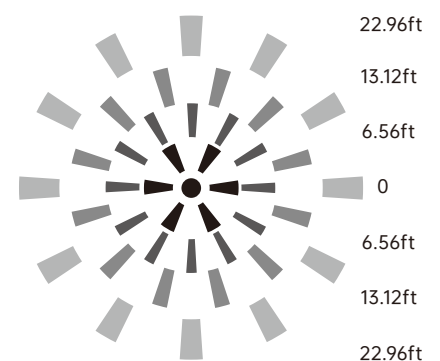
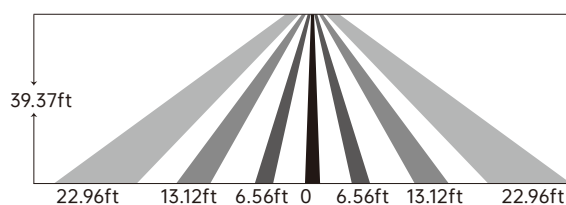


## Detection Coverage

HD07VR-PH-1

Mounting Height  
<12m/39.37ft Ceiling Mounted

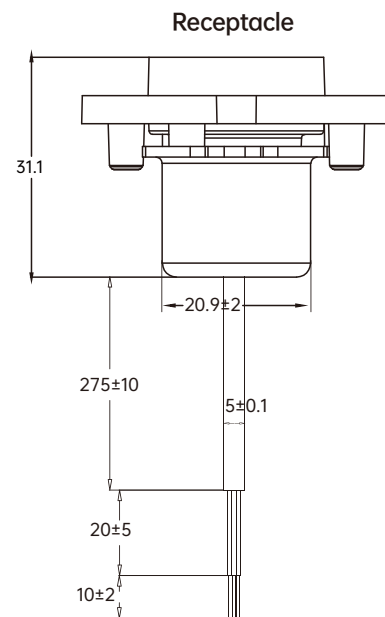
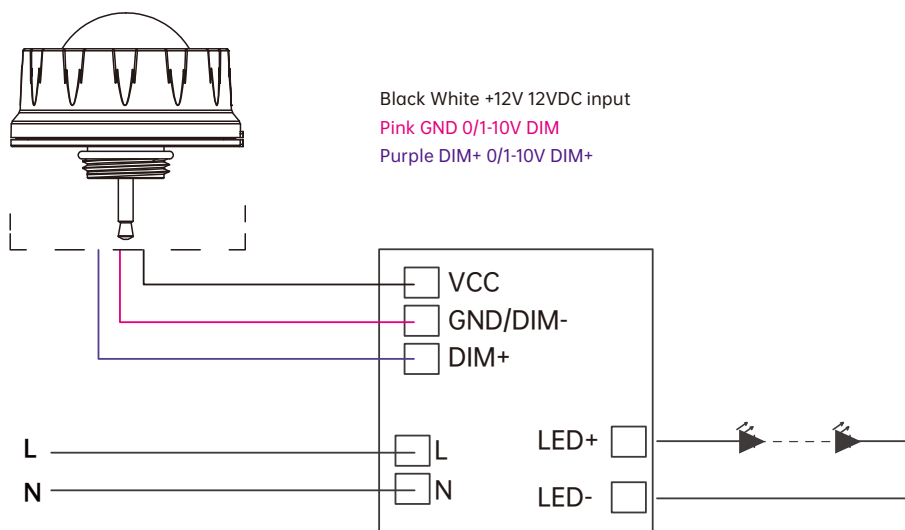
Detection Distance  
Radius 3-7m/9.84-22.96ft



# Parameters

| Model NO.               |   | HD07VR-PH-1  |
|-------------------------|---|--|
| PIR INFORMATION         | Infrared Wavelength   | 5-14um   |
|                         | Output Signal Peak  | ≥3500mV  |
|                         | Installation Height   | 12m/39ft Max.  |
|                         | Detection Distance  | ≥3m/9ft  |
|                         | Warranty  | 3 Years  |
| SENSOR PARAMETER        | Detection Area  | 25%/50%/75%/100%   |
|                         | Holdtime  | 5s/30s/1min/3min/5min/10min/20min/30min  |
|                         | Daylight Threshold  | Disable/ 2lux/ 10lux/ 30lux/ 50lux/ 80lux/ 120lux  |
|                         | Standby Dimming Level   | 10%/20%/30%/50%  |
|                         | Standby Period  | 0s/10s/30s/1min/5min/10min/30min/60min+∞   |
|                         | Dusk/Dawn Sensing/ Photocell  | Daylight threshold as 30lux/ 50lux/ 80lux/ 120lux<br>Standby period as +∞;<br>Standby dimming level as 10%/20%/30%           |
|                         | Default Program   | Detection Area - 100%<br>Holdtime - 5S<br>Daylight Threshold - disable<br>Standby Period - 0S<br>Standby Dimming Level - 10% |
| Control                 | Standard Partner HD05R, the LCD screen display remote (purchase seperately) |  |
| INPUT                   | Input Range   | 12VDC  |
|                         | Voltage Range   | 10-15VDC   |
|                         | Current   | ≥30mA  |
| OUTPUT                  | Signal  | DIM 0-10V  |
|                         | Connection  | 12VDC input/ Black&White wire;<br>DIM+/ Purple wire; DIM-/ Pink wire   |
|                         | Stand-by Power  | <30mA Power Consumption  |
| ENVIRONMENT             | Working Temp  | -20°C~+60°C  |
|                         | Storage Temp  | -40°C~+80°C Humidity: 85% (non-condensation)   |
| CERTIFICATE & STANDARDS | Certification   | UL (E529048)   |
|                         | Environmental Requirements  | In accordance with CE ROHS   |
|                         | IP Rating   | IP20   |
| PACKAGE                 | Silk-Printing   | Lasering   |
|                         | Packing Description   | 1pcs/white neutral box   |
|                         | Qty/ctn(pcs)  | 120  |
|                         | Net Weight/pcs (kg)   | 0.05   |
|                         | Gross Weight/CTN (kg)   | 6.6  |
|                         | Carton Size (cm)  | 40*30*25   |

# Wiring Diagram



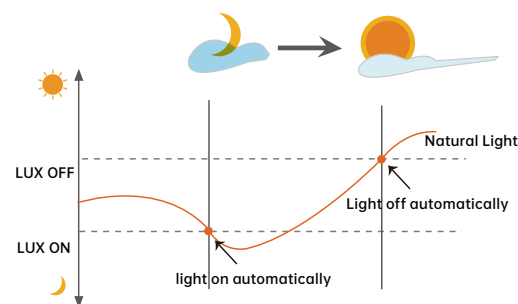
# Performance

## Dusk/Dawn function

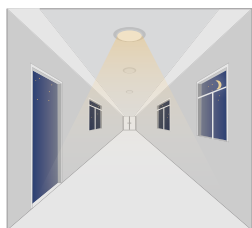
HD07VR-PH-1 is able to differentiate artificial light brightness from natural light after installed inside the fixture, and automatically turn off light when ambient brightness exceeds preset lux level.

### Precondition of Dusk/Dawn function:

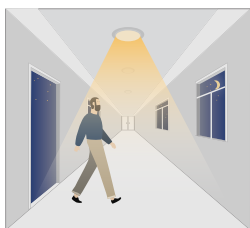
1. Standby period is  $+\infty$ ;
2. Standby dimming level is on 10%, 20% or 30%;
3. Daylight threshold is on 30lux/ 50lux/ 80lux/ 120lux



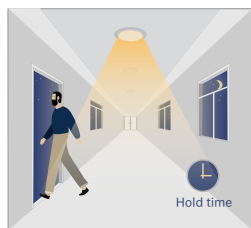
### 1. With Dusk/Dawn function



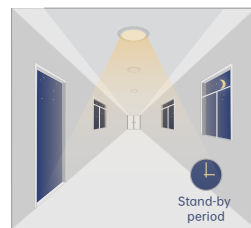
With insufficient ambient brightness, sensor turns on light and keeps it at standby dimming level even if there is no motion or presence.



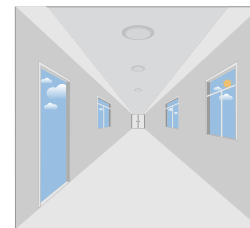
When sensor detects motion or presence it will bring the light level up to 100%.



After motion is no longer detected, fixture remains at 100% for hold time.

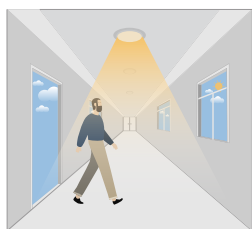


After pre-set hold time period it will dim light to standby dimming level again and always keep it.

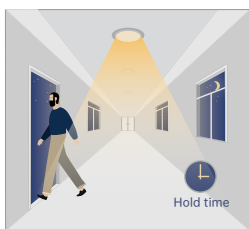


With sufficient ambient brightness, sensor will turn OFF light automatically.

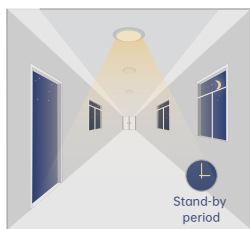
## 2. Without daylight disabled



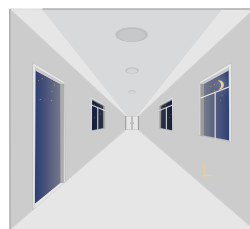
Sensor turns ON light when motion is detected.



Sensor keeps for a hold time period after motion leaves

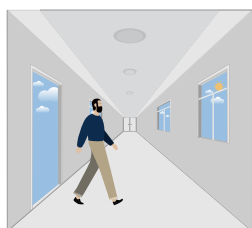


Sensor dims light to standby dimming level after hold time if there is still no motion

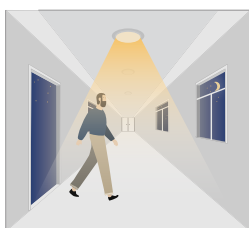


Sensor turns OFF light after standby period

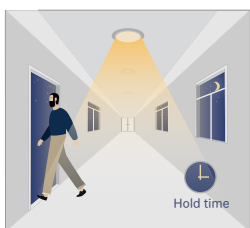
## 3. With Daylight Threshold



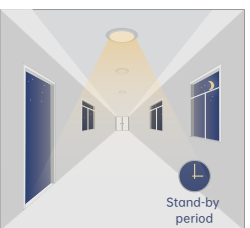
With sufficient daylight, the sensor keeps light OFF even motion gets detected



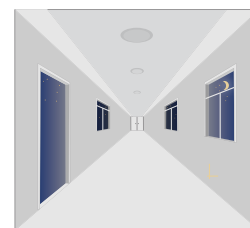
With insufficient daylight, the sensor turns light ON when motion gets detected



After there's no motion detected, the sensor keeps light ON 100% for holdtime.



After holdtime, sensor dims light to standby dimming level for standby period. if the standby period has been set as 0s, sensor turns light OFF automatically after holdtime.



The sensor turns OFF light automatically after the standby period when there's no motion detected.



### Attention

1. The sensor should be installed by qualified electrician and ensure power is OFF before installation.
2. Please read the instruction carefully before using the product and keep it well for other users to read any time.
3. We reserve the right to modify any incorrect text, image and technical parameters.
4. Any unauthorized modification is forbidden. Otherwise all guarantees will be immediately invalid.
5. Product could be optimized without prior notice.

## APPLICATION NOTES

1. Suitable for indoor application, half/completely outdoor environment conditions might trigger the sensor.
2. Suitable for ceiling mount installation, adjust sensitivity properly if it's installed on side-wall because it gets more sensitive.
3. PIR sensor can't be placed inside any material, fresnel lens must be completely exposed in air.
4. Fresnel lens of the PIR sensor must be lower than light fixture.
5. Not suitable environment if there's sudden changed temperature of airflow for PIR sensor.
6. Not suitable environment if there's shelves blocking between the sensor and presence area.
7. Detection area options may NOT working obviously because it works depends on fresnel lens, it's physically defined.
8. Detection distance performance works better when moving parallelly than moving towards to the sensor.
9. Daylight testing delivered in bright day without shadow or specially designed lampshade or lens.
10. Dimming performance differs when connected to different drivers; If the driver can't completely turn OFF, sensor can't either.
11. Input power voltage must be stable with float less than 10%.
12. The first time powered ON sensor, light will be ON 100% for about 45S then dims to standby level or OFF.
13. Distance detection is delivered by testing person about 165cm in open area as reference, the result differs by size and speed of moving objects, mounting height and real-life situation.