



PROJECT	TYPE	CATALOG #



Model	Size (inches) & Weight (lbs)			
	L (in)	W (in)	H (in)	Weight
04-HPRL1	5.94	4.25	7	
04-HPRL2	9.67	4.25	6.81	

MODEL	NO. OF HEADS	COLOR
04-HPRL	1 = Single Head 2 = Double Head	blank White B Black

Specifications

Housing

- Available in engineering grade, Impact-resistant thermoplastic housing in standard white or black finish.

Electrical

- Powered from low voltage (5-15VDC) power source with low voltage wiring (not provided).

Illumination

- Ultra-bright, energy efficient, long-life White LED adjustable lamp heads provide up to 100-ft center-to-center spacing with a 6-ft path of egress at 15-ft mounting height.
- 6.0 watt (12 LEDs x 0.50 watt) per head.
- Adjustable glare-free PAR-Type lamp heads with all-inclusive lamp, reflector and lens assembly.

Mounting

- Universal mounting adapter plate included. Mounts to singlegang switch box.
- Distance of maximum run is determined by system voltage, wire gauge and total maximum wattage on the run.
- Suitable for wall or ceiling mount.

Code Compliance

- Meets UL924, NFPA 101 Life Safety Code, NEC, OSHA, Local and State Codes.
- UL Listed for damp locations (0°C – 50°C)

Warranty

- 5-year warranty on all electronics and housing.



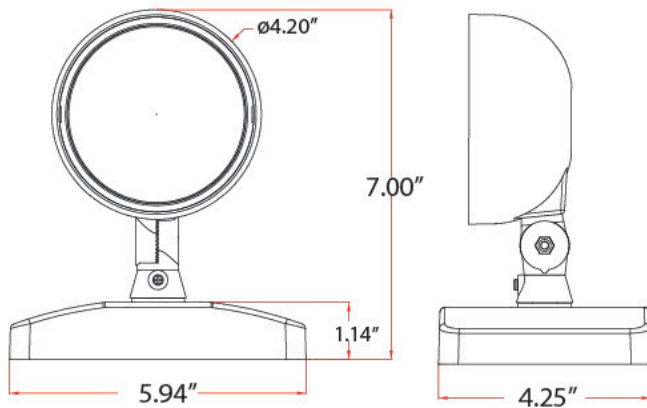
Fixture Compatibility List

BEST LIGHTING MODEL TYPE			
CALEDCXTE-RC	CWLEZXTE-RC	INDCWLEZ	LEDXR
HLCWLEZ	LEDSDXR627	HLEMR	RMR-16-65/125
INDEMR	NYDXR	-	-

Reference individual unit equipment specification sheets for remote load capacity availability.

Dimensional Drawings

04-HPRL1



04-HPRL2

