



PROJECT	TYPE	CATALOG #



Model	Size (inches) & Weight (lbs)			
	L (in)	W (in)	H (in)	Weight
04-HPRL1-WP	4.51	4.51	6.79	
04-HPRL2-WP	9.34	4.51	6.3	

MODEL	NO. OF HEADS	COLOR	HOUSING
04-HPRL	1 = Single Head 2 = Double Head	blank Gray B Black	WP Polycarbonate (standard)

## Specifications

### Housing

- Available in engineering grade, Impact-resistant polycarbonate housing.
- Sealed and gasketed in standard gray or black finish.

### Electrical

- Powered from low voltage (5-15VDC) power source with low voltage wiring (not provided).

### Illumination

- Ultra-bright, energy efficient, long-life White LED adjustable lamp heads provide up to 100-ft center-to-center spacing with a 6-ft path of egress at 15-ft mounting height.
- 6.0 watt (12 LEDs x 0.50 watt) per head.
- Adjustable glare-free PAR-Type lamp heads with all-inclusive lamp, reflector and lens assembly.

### Mounting

- Universal mounting adapter plate included. Mounts to singlegang switch box.
- Distance of maximum run is determined by system voltage, wire gauge and total maximum wattage on the run.
- Suitable for wall or ceiling mount.

### Code Compliance

- Meets UL924, NFPA 101 Life Safety Code, NEC, OSHA, Local and State Codes.
- UL Listed for wet locations (-30°C – 50°C)

### Warranty

- 5-year warranty on all electronics and housing.



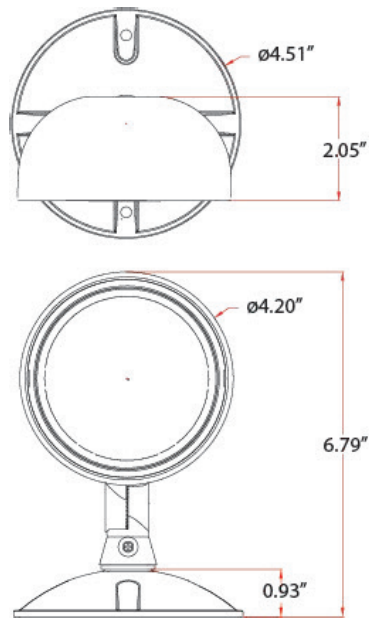
## Fixture Compatibility List

BEST LIGHTING MODEL TYPE			
CALEDCXTE-RC	CWLEZXTE-RC	INDCWLEZ	LEDXR
HLCWLEZ	LEDSDXR627	HLEMR	RMR-16-65/125
INDEMR	NYDXR	-	-

Reference individual unit equipment specification sheets for remote load capacity availability.

## Dimensional Drawings

### 04-HPRL1-WP



### 04-HPRL2-WP

