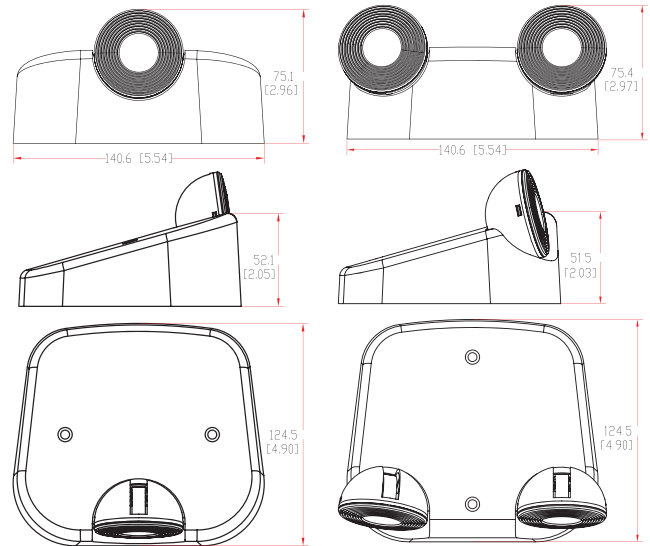




PROJECT	TYPE	CATALOG #



### FIXTURE COMPATIBILITY CHART

Reference individual unit equipment specification sheets for remote load capacity availability.

04-CEU-RC	04-CDC-RC	04-TC-RC
04-CEM-RC	04-ECO-RC	04-EM-RC

Sample Part Number: MRHLED-1-3.6V

MODEL	NO OF FACES	HOUSING COLOR	VOLTAGE
04-MRHLED	1 = Single Head 2 = Double Head	Blank = White B = Black	3.6V = For use with 3.6V Batteries

## Specifications

### Housing

- Injection-molded, engineering grade, 5VA flame retardant, high-impact resistant, thermoplastic in white or black finish.

### Electrical

- Powered from low voltage power source with low voltage wiring (not provided).

### Optical System

- Long lasting, efficient, ultra bright white LED lamp heads.
- 0.5 watt (1 LEDs x 0.5 watt) per head.
- Unique all-inclusive lamp, diffuser and lens assembly.
- Adjustable LED lamp heads provide optimal center-to-center spacing.

### Mounting

- Universal mounting adapter plate included with mounting hardware.
- Distance of maximum run is determined by system voltage, wire gauge and total maximum wattage on the run.
- Suitable for wall or ceiling mount

### Code Compliance

- UL Listed with approved Cost Less products.
- Meets UL924, NFPA 101 Life Safety Code, NEC, OSHA, Local and State Codes

### Warranty

- 5 year warranty