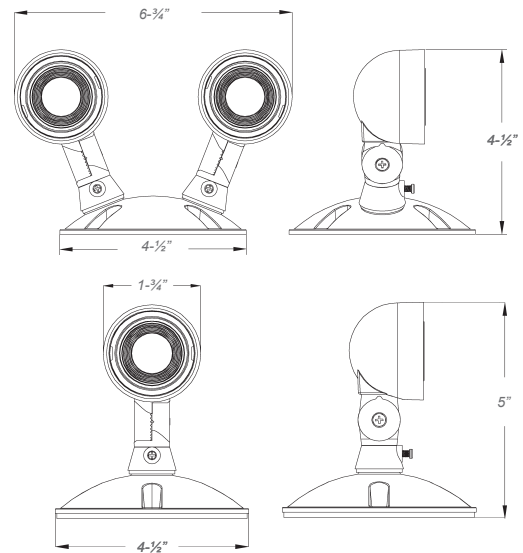




PROJECT	TYPE	CATALOG #



FIXTURE COMPATIBILITY CHART

Reference individual unit equipment specification sheets for remote load capacity availability.

04-CEU-RC	04-CDC-RC	04-TC-RC
04-CEM-RC	04-ECO-RC	04-EM-RC

Sample Part Number: MRHLED1-PWP-3.6V

MODEL	NO OF FACES	COLOR	HOUSING	VOLTAGE
04-MRHLED	1 = Single Head 2 = Double Head	Blank = Gray B = Black	PWP = Thermoplastic	3.6V = For Use With 3.6V DC Power Source

Specifications

Housing

- Engineering grade, high-impact resistant polycarbonate housing.
- Sealed and gasketed in standard gray or black finish

Electrical

- Powered from low voltage power source with low voltage wiring (not provided).

Optical System

- Long lasting, efficient, ultra bright white LED lamp heads.
- 0.5 watt (1 LEDs x 0.5 watt) per head.
- Unique all-inclusive lamp, diffuser and lens assembly.
- Adjustable LED lamp heads provide optimal center-to-center spacing.

Mounting

- Universal mounting adapter plate included. Mounts to single-gang switch box.
- Distance of maximum run is determined by system voltage, wire gauge and total maximum wattage on the run.
- Suitable for wall or ceiling mount.

Code Compliance

- cULus Listed for wet locations (-30°C - 50°C).
- Meets UL924, NFPA 101 Life Safety Code, NEC, OSHA, Local and State Codes.

Warranty

- 5 year warranty