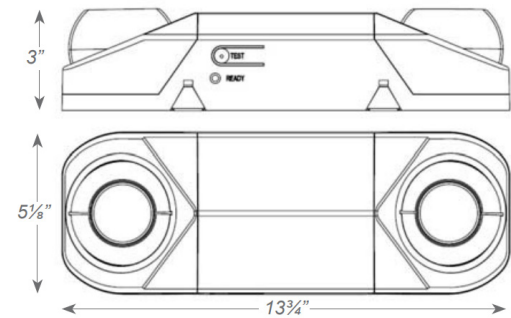




PROJECT	TYPE	CATALOG #



Sample Part Number: 04-RMR-16-PLED

MODEL	HOUSING COLOR	OPTIONS
04-RMR-16	Blank = White B = Black	LED = 3.6W High Lumen White LED Lamps PLED = 7.0W High Lumen White LED Lamps USA = Assembled in USA

Specifications

Housing

- Injection-molded, engineering grade, 5VA flame retardant, high-impact resistant, thermoplastic in white or black finish.

Electrical

- Dual 120/277 voltage.
- Charge rate/power "ON" LED indicator light and push-to-test switch for mandated code compliance testing.
- LVD (low voltage disconnect) prevents battery from deep discharge.
- 6V maintenance-free, rechargeable sealed lead acid battery.
- Internal solid-state transfer switch automatically connects the internal battery to lamp heads for minimum 90-minute emergency illumination.
- Fully automatic solid-state, two rate charger initiates battery charging to recharge a discharged battery in 24 hours.

Illumination

- Two fully adjustable ultra bright, round, 7.0 watt, MR-16 halogen lamp heads standard.
- High performance MR16 halogen lamps with smooth metallized reflector and glass lens for optimal light distribution.

Mounting

- Universal knockout pattern on the backplate for wall mount. Snaps into place making internal electrical connections.
- Knockout for conduit applications.

Code Compliance

- Meets UL924, NFPA 101 Life Safety Code, NEC, OSHA, Local and State Codes.
- UL Listed for damp locations (20°C – 40°C).

Warranty

- Five year warranty on all electronics and housing. Battery prorated for two years.

Options

- USA: Substantial transformation assembly in the U.S. complies with "Assembled in the USA" under the Buy American Act.
- LED: 3.6W high performance MR-16 base LED Lamps for increased center-to-center spacing.
- PLED: 7.0W high performance MR-16 base LED Lamps for premium center-to-center spacing.



**COST LESS
LIGHTING**

04-RMR-16

SEMI-RECESSED MR-16

EMERGENCY UNIT

p. 866.633.6883 • f. 866.699.8099 • CostLessLighting.com

Electrical Information

CATALOG NUMBER	INPUT WATTS (W)		INPUT AMPS (A)	
	120V	277V	120V	277V
04-RMR-16	4.2	5.2	0.039	0.021