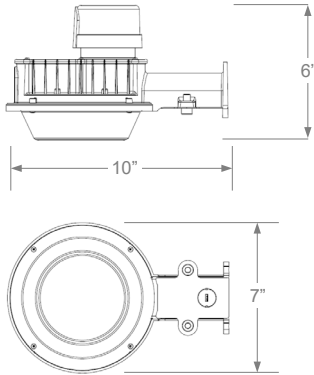


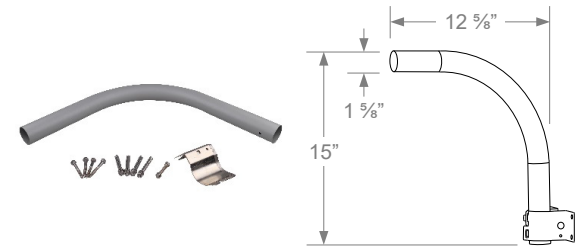


PROJECT	TYPE	CATALOG #



### Optional Mounting Arm

- Optional powder-coated steel mounting arm attaches to poles or walls. Mounting bracket included.



SERIES	NOMINAL LUMEN OUTPUT	COLOR TEMPERATURE	PHOTOCELL	ACCESSORIES (ORDER SEPARATELY)
08-DDAL	5L = 5,000lm	5K = 5,000K	PC	08-LED-DDALSN-ARM = Mounting arm with bracket

## Specifications

### Housing

- Die cast aluminum housing with gray powder coat finish.
- Polycarbonate lens.

### Electrical

- Universal 120-277 AC voltage (50-60Hz).
- Power factor > 0.90.
- Total harmonic distortion < 20%.

### Optical System

- Available in 5000k (cool white) color temperature.
- Long-life LEDs provide 163,000 hours of operation with at least 70% of initial lumen output (L70), and 50,000 hours with at least 90% of initial lumen output (L90).\*\*
- LED chromaticity based on <5-step ANSI quadrangles.
- LED color maintenance < 0.003 chromaticity shift ( $\Delta u'v'$ ) over the initial 6,000 hours of operation.
- Provides 4,900 nominal lumens and draws 37 nominal watts (133 lumens per watt).
- Color rendering index (Ra) > 80.
- NEMA photocell receptable & photocell are standard.

### Warranty

- 5-year warranty of all electronics and housing.

### Code Compliance

- cULus listed for wet locations in ambient temperatures from -40°C to 45°C (-40°F to 113°F).
- Complies with IEC61000-4-5, input transient surge protection (4kV).
- Complies with FCC Part 15, class A.
- IP65 rated for ingress protection.

\*\*L<sub>70</sub> hours are IES TM 21 11 calculated hours.