



PROJECT	TYPE	CATALOG #



Model	Size (inches) & Weight (lbs)			
	L (in)	W (in)	H (in)	Weight
11-DK6-10L-KFS	7.23	7.23	1.36	0.53
11-DK6-10L-KFS-OS	7.4	7.4	1.03	0.48

MODEL	NOMINAL LUMEN OUTPUT	KELVIN (SELECTABLE)		Occupancy Sensor
11-DK6	10L = 1000 lm	KFS	2700/ 3000/ 3500/ 4000/ 5000K	Blank No Sensor OS PIR Sensor

Specifications

Housing

- Premium powder-coat, steel, white housing.

Electrical

- Universal 120V AC voltage (60Hz) is standard.
- Triac dimming.
- Beam angle 120°.
- Input transient surge protection = 0.5kV.
- Power factor > 0.90.
- Total Harmonic distortion < 20%.

Optical System

- Polycarbonate diffuser.
- Field selectable 2700k(soft white), 3000k(warm white), 3500k(warm/neutral white), 4000k (neutral white) and 5000k (cool white) color temperatures*.
- Provide 1,000 nominal lumens*.
- Long-life LEDs provide 119,000 hours of operation with at least 70% of initial lumen output (L70).**
- Color rendering index > 90%.

Mounting

- Surface mounting and retrofit installation.
- Covered ceiling mount.

Code Compliance

- cETLus listed for wet locations.
- Energy Star certified.
- Complies with FCC part 15, class B.

Warranty

- 5-year warranty on all electronics and housing.

* Default 4000K color temperature and highest lumen output.

** L70 hours are IES TM-21-11 calculated hours.

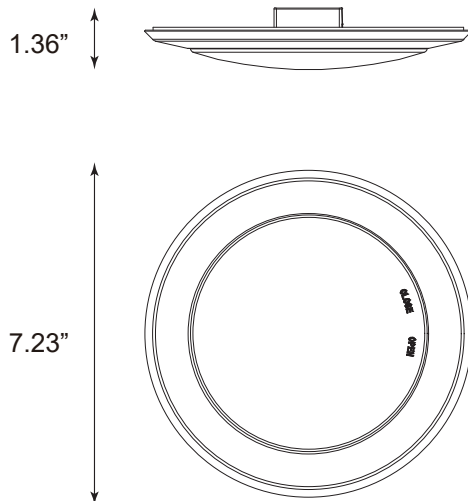


Compatible Dimmers & Controls

Manufacturer	Model Number		
Lutron	TG-600PR-WH	SLV-600P-AL	DVCL-153P
	S-600PR-WH	DV-600PR-WH	MSCL-OP153M
	CTCL-153PDH-WH	SCL-153PH-WH	PD-6WCL
	TGCL-153PH-LA	GT-600P	MACL-153M//MA-R
Leviton	6672	6674	IPL06
	RNL06	DSL06	-

Dimensional Drawing

11-DK6-10L-KFS



11-DK6-10L-KFS-OS

