



PROJECT	TYPE	CATALOG #



Model	Size (inches) & Weight (lbs)				Junction Box Size (inch)
	L (in)	W (in)	H (in)	Weight	
11-FPR3-4L-KFS	3.62	3.62	0.85	0.44	3.94X2.68X1.4
11-FPR4-6L-KFS	4.74	4.74	0.79	0.63	4.73X2.77X1.34
11-FPR6-10L-KFS	6.73	6.73	0.79	0.88	4.73X2.77X1.34
11-FPR8-14L-KFS	8.82	8.82	0.93	1.10	4.73X2.77X1.34

SERIES	NOMINAL LUMEN OUTPUT	KELVIN (SELECTABLE)	
		Model	Options
11-FPR3	4L = 400	KFS	2700/ 3000/ 3500/ 4000/ 5000K
11-FPR4	6L = 600		
11-FPR6	10L = 1000		
11-FPR8	14L = 1400		

Specifications

Housing

- White powder-coat, aluminum housing.

Electrical

- Operating temperature (ambient): -20°C to 45°C (-4°F to 113°F).
- Universal 120V AC voltage (60Hz) is standard.
- 11-FPR3-4L-KFS = 6W
- 11-FPR4-6L-KFS = 9W
- 11-FPR6-10L-KFS = 14W
- 11-FPR8-14L-KFS = 17W
- Triac dimming.
- Input transient surge protection = 0.5kV.
- Type IC.
- Power Factor > 0.90.
- Total Harmonic Distortion < 20%.

Optical System

- Field selectable 2700K, 3000K, 3500K, 4000K, and 5000K color temperatures.*
- Provide a range delivers 400 to 1700 nominal lumens.*
- Long-life LEDs provide 139,000 hours of operation with at least 70% of initial lumen output (L70).**
- Beam Angle 110°.
- Color Rendering Index > 90.

Mounting

- Recessed ceiling, new construction or retrofit.
- No recessed housing required for installation.
- Access above ceiling required.
- Covered ceiling mount only.

Code Compliance

- cETLus listed for wet locations. Not exceeding 45°C.
- Energy Star certified.
- Complies with FCC Part 15, Class B.

Warranty

- 5-year warranty on all electronics and housing.

* Default 4000K color temperature.

** 11-FPR4 and 11-FPR6 L70 = 71,000 hours. L70 hours are IES TM-21-11 calculated hours.



Accessories (order separately)

Mounting Option

11-MP-UD346-NC* = Mounting plate for 3", 4", and 6" canless recessed downlights

11-MP-UD46810-NC** = Mounting plate for 4", 6", 8", and 10" canless recessed downlights

* Not compatible with 11-FPR8-14L-KFS.

** Not compatible with 11-FPR3-4L-KFS.

Trim Rings

11-FPR4-TR-BK = Trim Ring, for use with 11-FPR4-6L-KFS, Black

11-FPR4-TR-BN = Trim Ring, for use with 11-FPR4-6L-KFS, Brushed Nickel

11-FPR6-TR-BK = Trim Ring, for use with 11-FPR6-10L-KFS, Black

11-FPR6-TR-BN = Trim Ring, for use with 11-FPR6-10L-KFS, Brushed Nickel

Electrical Data

Series	Measurements	4L				
		2700K	3000K	3500K	4000K	5000K
11-FPR3-4L-KFS	Lumens	469	484	489	495	495
	Watts	5.85	5.77	5.74	5.89	5.91
	Efficacy	80.17	83.88	85.19	84.04	83.76

Series	Measurements	6L				
		2700K	3000K	3500K	4000K	5000K
11-FPR4-6L-KFS	Lumens	698	729	746	758	763
	Watts	8.72	8.63	8.42	8.53	8.75
	Efficacy	80.05	84.47	88.60	88.86	87.20

Series	Measurements	10L				
		2700K	3000K	3500K	4000K	5000K
11-FPR6-10L-KFS	Lumens	1180	1267	1316	1330	1278
	Watts	14.32	14.03	13.77	14.06	14.53
	Efficacy	82.40	90.31	95.57	94.59	87.96

Series	Measurements	14L				
		2700K	3000K	3500K	4000K	5000K
11-FPR8-14L-KFS	Lumens	1440	1584	1678	1702	1664
	Watts	17.49	17.11	16.71	16.86	17.46
	Efficacy	82.33	92.58	100.42	100.95	95.30

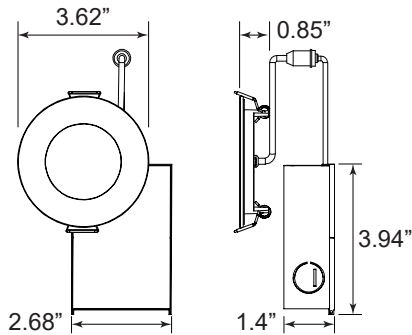


Compatible Dimmers & Controls

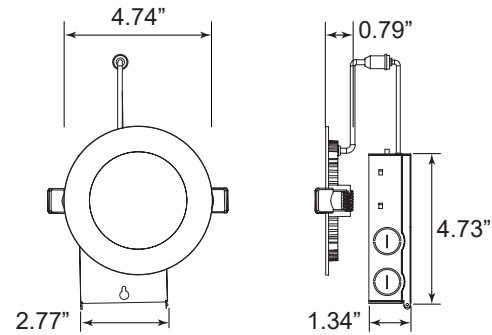
Manufacturer	Model Number		
Lutron	TG-600PR-WH	SLV-600P-AL	DVCL-153P
	S-600PR-WH	DV-600PR-WH	MSCL-OP153M
	CTCL-153PDH-WH	SCL-153PH-WH	PD-6WCL
	TGCL-153PH-LA	GT-600P	MACL-153M//MA-R
Leviton	6672	6674	IPL06
	RNL06	DSL06	-

Dimensional Drawing

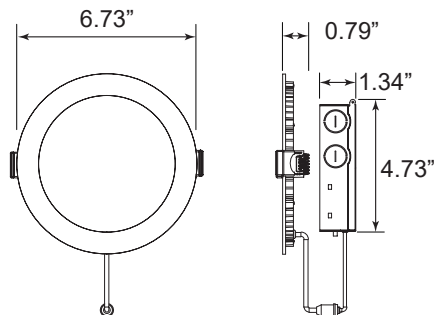
11-FPR3-4L-KFS



11-FPR4-6L-KFS



11-FPR6-10L-KFS



11-FPR8-14L-KFS

