



PROJECT	TYPE	CATALOG #



Model	Size (inches) & Weight (lbs)				Junction Box Size (inch)
	L (in)	W (in)	H (in)	Weight	
11-FPR3-4L-KFS	3.62	3.62	0.85	0.44	3.94X2.68X1.4
11-FPR4-6L-KFS	4.74	4.74	0.79	0.63	4.73X2.77X1.34
11-FPR6-10L-KFS	6.73	6.73	0.79	0.88	4.73X2.77X1.34
11-FPR8-14L-KFS	8.82	8.82	0.93	1.10	4.73X2.77X1.34

SERIES	NOMINAL LUMEN OUTPUT	KELVIN (SELECTABLE)	
		KFS	2700/ 3000/ 3500/ 4000/ 5000K
11-FPR3	4L = 400	KFS	2700/ 3000/ 3500/ 4000/ 5000K
11-FPR4	6L = 600		
11-FPR6	10L = 1000		
11-FPR8	14L = 1400		

Specifications

Housing

- Premium powder-coat, aluminum, white housing.

Electrical

- Universal 120V AC voltage (60Hz) is standard.
- Triac dimming.
- Beam angle 120°.
- Input transient surge protection = 0.5kV.
- Type IC.
- Power factor > 0.90.
- Total Harmonic distortion < 20%.

Optical System

- Polystyrene lens.
- Field selectable 2700k(soft white), 3000k(warm white), 3500k(warm/neutral white), 4000k (neutral white) and 5000k (cool white) color temperatures*.
- Provide a range delivers 400 to 1400 nominal lumens*.
- Long-life LEDs provide 139,000 hours of operation with at least 70% of initial lumen output (L70)**.
- Color rendering index > 90%.

Mounting

- Recessed ceiling, new construction or retrofit.
- No recessed housing required for installation.
- Access above ceiling required.
- Covered ceiling mount only.

Code Compliance

- cETLus listed for wet locations.
- Complies with FCC part 15, class B.

Warranty

- 5-year warranty on all electronics and housing.

* Default 4000K color temperature and highest lumen output.

**FPR4 and FPR6 L70=71,000 hours. L70 hours are IES TM-21-11 calculated hours.



Accessories (order separately)

Mounting Option:

11-MP-UD346-NC* = Mounting plate for 3", 4", and 6" canless recessed downlights

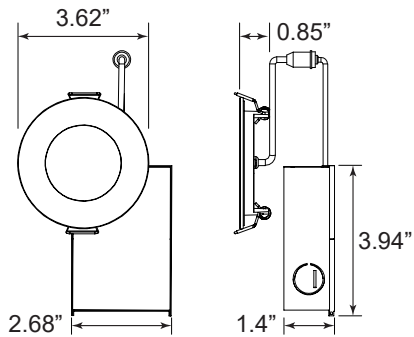
* Not compatible with FPR8-14L-KFS.

Compatible Dimmers & Controls

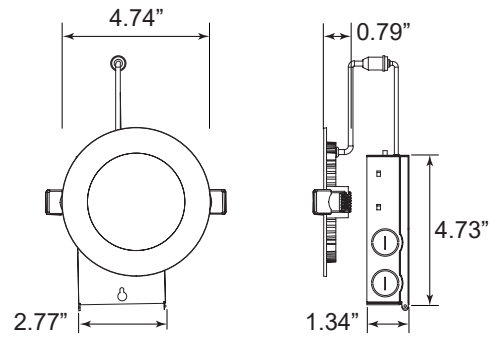
Manufacturer	Model Number		
Lutron	TG-600PR-WH	SLV-600P-AL	DVCL-153P
	S-600PR-WH	DV-600PR-WH	MSCL-OP153M
	CTCL-153PDH-WH	SCL-153PH-WH	PD-6WCL
	TGCL-153PH-LA	GT-600P	MACL-153M//MA-R
Leviton	6672	6674	IPL06
	RNL06	DSL06	-

Dimensional Drawing

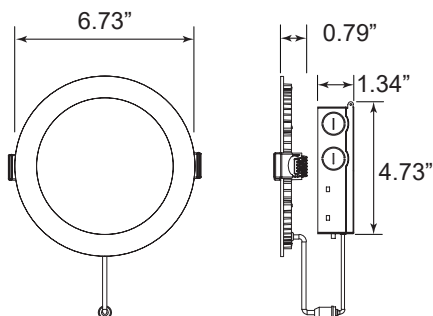
11-FPR3-4L-KFS



11-FPR4-6L-KFS



11-FPR6-10L-KFS



11-FPR8-14L-KFS

