



PROJECT	TYPE	CATALOG #



Model	Size (inches) & Weight (lbs)				Junction Box Size (inch)
	L (in)	W (in)	H (in)	Weight	
11-IMODCR4-8L-KFS	5.51	5.51	2.03	0.77	4.73X2.77X1.34
11-IMODCR6-12L-KFS	7.37	7.37	2.03	0.77	4.73X2.77X1.34

SERIES	NOMINAL LUMEN OUTPUT	KELVIN (SELECTABLE)	
11-IMODCR4	8L = 800 lm	KFS	2700/ 3000/ 3500/ 4000/ 5000K
11-IMODCR6	12L = 1200 lm		

Specifications

Housing

- Premium powder-coat, aluminum, white housing.

Electrical

- Universal 120V AC voltage (60Hz) is standard.
- Triac dimming.
- Beam angle 100°.
- Input transient surge protection = 1kV.
- Power factor > 0.90.
- Total Harmonic distortion < 20%.

Optical System

- Polycarbonate diffuser.
- Field selectable 2700k(soft white), 3000k(warm white), 3500k(warm/neutral white), 4000k (neutral white) and 5000k (cool white) color temperatures*.
- Provide a range delivers 700 to 1,300 nominal lumens*.
- Long-life LEDs provide 174,000 hours of operation with at least 70% of initial lumen output (L70).**
- LED color maintenance < 0.0035 chromaticity shift ($\Delta u'v'$) over the initial 6,000 hours of operation.
- Color rendering index > 90%.

Mounting

- Recessed in ceiling.
- Suitable for most new constructions.
- Install J-box in ceiling beam, and insert light right into drywall opening.

Code Compliance

- cETLus listed for wet locations.
- Energy Star certified.
- Complies with FCC part 15, class B.
- Complies with Title 24.

Warranty

- 5-year warranty on all electronics and housing.

* Default 4000K color temperature and highest lumen output.

** L70 hours are IES TM-21-11 calculated hours.

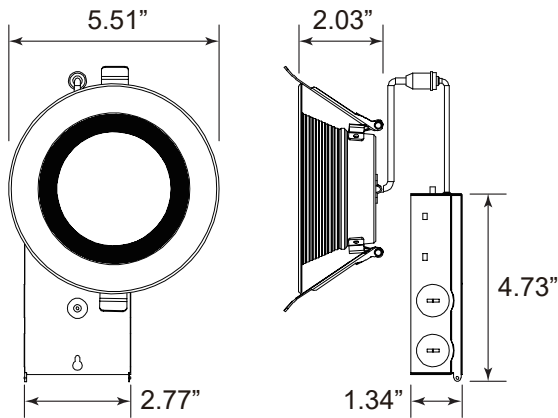


Compatible Dimmers & Controls

Manufacturer	Model Number		
Lutron	TG-600PR-WH	SLV-600P-AL	DVCL-153P
	S-600PR-WH	DV-600PR-WH	MSCL-OP153M
	CTCL-153PDH-WH	SCL-153PH-WH	PD-6WCL
	TGCL-153PH-LA	GT-600P	MACL-153M//MA-R
Leviton	6672	6674	IPL06
	RNL06	DSL06	-

Dimensional Drawing

11-IMODCR4-8L-5CCT



11-IMODCR6-12L-5CCT

