



PROJECT	TYPE	CATALOG #



Model	Size (inches) & Weight (lbs)				
	L (in)	W (in)	H (in)	Ø(in)	Weight
06-CYL-UPDN-976L-3CCT	4.53	5.35	8.98	3.07	2.65
06-CYL-UPDN-201712L-3CCT	4.53	6.7	11.02	4.17	4.13
06-CYL-UPDN-302722L-3CCT	5.71	8.42	13	5.71	6.48

SERIES	NOMINAL LUMEN OUTPUT (Selectable)	KELVIN (Selectable)
06-CYL-UPDN	976L = 900 / 700 / 600 lm	3CCT 3000K / 4000K / 5000K
	201712L = 2,000 / 1,700 / 1,200 lm	
	302722L = 3,000 / 2,700 / 2,200 lm	

Specifications

Housing

- Premium powder-coat, aluminum, dark bronze housing.

Electrical

- Operating temperature (ambient): -40°C to 45°C (-40°F to 113°F).
- Universal 120-277V AC voltage (50-60Hz) is standard.
- Field selectable output, with 3 levels for each model.
- 0-10VDC dimming drivers are standard.
- Selectable switch allows for light to be directed up only, down only, or both up and down.
- Internal photocell is standard. Photocell can be enabled or disabled by switch.
- Surge protection = 4kV.
- Power factor > 0.90. Total Harmonic distortion < 20%.

Optical System

- High temperature resistant tempered glass lens.
- Field selectable 3000k (warm white), 4000k (neutral white) and 5000k (cool white) color temperatures*.
- CYL-UPDN-976L-3CCT provides a range of 600 to 900 nominal lumens*.
- CYL-UPDN-201712L-3CCT provides a range of 1,200 to 2,000 nominal lumens*.
- CYL-UPDN-302722L-3CCT provides a range of 2,200 to 3,000 nominal lumens*.
- Long-life LEDs provide 140,000 hours of operation with at least 70% of initial lumen output (L70)**.
- Beam angle 35°.
- LED color maintenance < 0.00342 chromaticity shift ($\Delta u'v'$) over the initial 6,000 hours of operation.
- Color rendering index > 90.

Mounting

- Wall mount kit
- Easy installation in new construction or retrofit applications.

Code Compliance

- cULus listed for wet locations.
- Complies with FCC part 15, class B.
- IP65 rated for ingress protection.

Warranty

- 5-year warranty on all electronics and housing.

* Default kelvin temperature 4000k and highest lumen output.

**L₇₀ hours are IES TM-21-11 calculated hours.



Series	Measurements	Low Lumens			Mid Lumens			High Lumens		
		3000K	4000K	5000K	3000K	4000K	5000K	3000K	4000K	5000K
06-CYL-UPDN-201712L-3CCT	Lumens	1115	1225	1277	1487	1662	1716	1739	1959	1999
	Watt	12.31	12.14	12.32	16.82	16.61	16.88	20.07	19.79	20.1
	Efficacy	91	101	104	88	100	102	87	99	99
	Input Current (A)	120V	0.10	0.10	0.10	0.14	0.14	0.14	0.17	0.16
240V		0.05	0.05	0.05	0.07	0.07	0.07	0.08	0.08	0.08
277V		0.04	0.04	0.04	0.06	0.06	0.06	0.07	0.07	0.07

Series	Measurements	Low Lumens			Mid Lumens			High Lumens		
		3000K	4000K	5000K	3000K	4000K	5000K	3000K	4000K	5000K
06-CYL-UPDN-302722L-3CCT	Lumens	2004	2162	2237	2443	2660	2716	2663	2912	2979
	Watt	23.65	23.48	23.91	29.88	29.63	30.09	34.66	34.43	34.85
	Efficacy	85	92	94	82	90	90	77	85	85
	Input Current (A)	120V	0.20	0.20	0.20	0.25	0.25	0.25	0.29	0.29
240V		0.10	0.10	0.10	0.12	0.12	0.13	0.14	0.14	0.15
277V		0.09	0.08	0.09	0.11	0.11	0.11	0.13	0.12	0.13



Photometric Data

06-CYL-UPDN-976L-3CCT

Luminaire Data

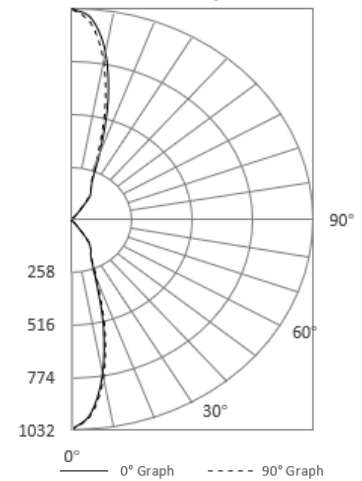
Description	Up Down Wall Cylinder Lumen and Kelvin Select
Total Lumens	864
Input Wattage	9
Efficacy (lm/W)	94
Max. Cd.	1034.1 (292.5H, 179V)
IES Classification	N.A.
Longitudinal Classification	N.A.

Photometrics calculated at 4000k and highest lumen setting.

Luminaire Classification Systems (LCS)

LCS Zone	Lumens	%Lum
FL 0-30	166	19.2%
FM 30-60	40	4.7%
FH 60-90	1	0.1%
FVH 80-90	0	0.0%
BL 0-30	177	20.4%
BM 30-60	46	5.3%
BH 60-90	1	0.1%
BVH 80-90	0	0.0%
UL 90-100	0	0.1%
UH 100-180	432	50.1%
Total	864	100.0%
BUG Rating	B1-U3-G0	

180° Polar Graph



06-CYL-UPDN-201712L-3CCT

Luminaire Data

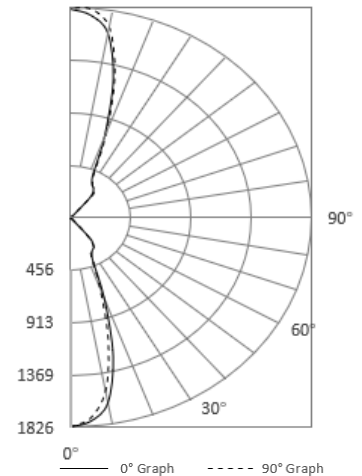
Description	Up Down Wall Cylinder Lumen and Kelvin Select
Total Lumens	1,959
Input Wattage	20
Efficacy (lm/W)	99
Max. Cd.	1843.6 (67.5H, 177V)
IES Classification	N.A.
Longitudinal Classification	N.A.

Photometrics calculated at 4000k and highest lumen setting.

Luminaire Classification Systems (LCS)

LCS Zone	Lumens	%Lum
FL 0-30	353	18.0%
FM 30-60	133	6.8%
FH 60-90	13	0.6%
FVH 80-90	6	0.3%
BL 0-30	332	17.0%
BM 30-60	125	6.4%
BH 60-90	12	0.6%
BVH 80-90	6	0.3%
UL 90-100	12	0.6%
UH 100-180	967	49.4%
Total	1,959	100.0%
BUG Rating	B1-U4-G0	

180° Polar Graph



06-CYL-UPDN-302722L-3CCT

Luminaire Data

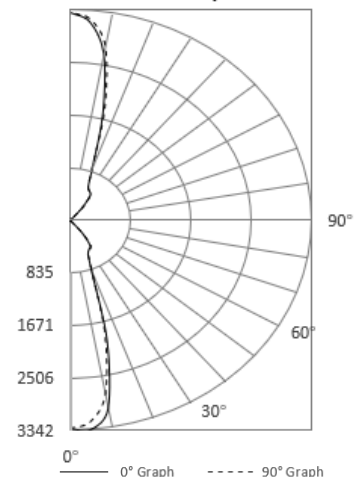
Description	Up Down Wall Cylinder Lumen and Kelvin Select
Total Lumens	2,912
Input Wattage	34
Efficacy (lm/W)	85
Max. Cd.	3358.3 (337.5H, 6V)
IES Classification	Type VS
Longitudinal Classification	Very Short

Photometrics calculated at 4000k and highest lumen setting.

Luminaire Classification Systems (LCS)

LCS Zone	Lumens	%Lum
FL 0-30	553	19.0%
FM 30-60	180	6.2%
FH 60-90	4	0.1%
FVH 80-90	1	0.0%
BL 0-30	536	18.4%
BM 30-60	178	6.1%
BH 60-90	5	0.2%
BVH 80-90	1	0.0%
UL 90-100	1	0.0%
UH 100-180	1,454	49.9%
Total	2,912	100.0%
BUG Rating	B2-U5-G0	

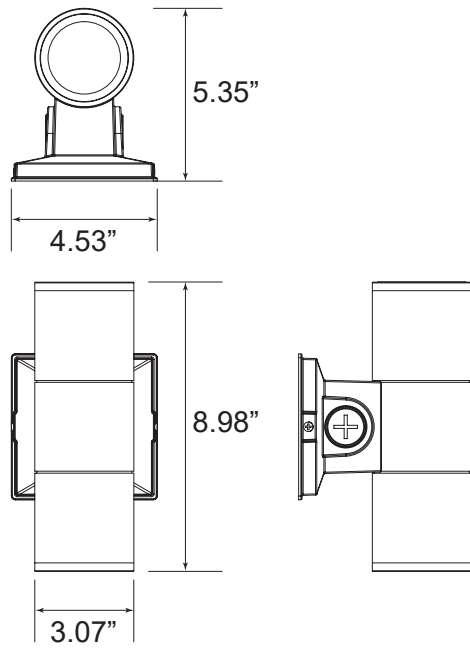
180° Polar Graph



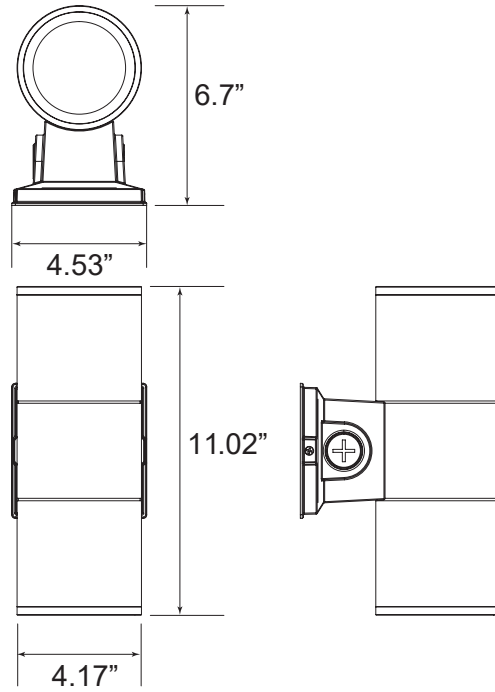


Dimensional Drawings

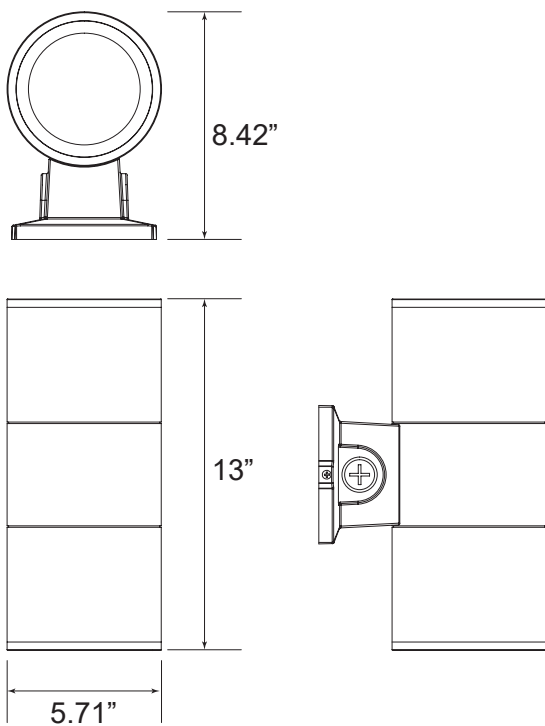
06-CYL-UPDN-976L-3CCT



06-CYL-UPDN-201712L-3CCT



06-CYL-UPDN-302722L-3CCT

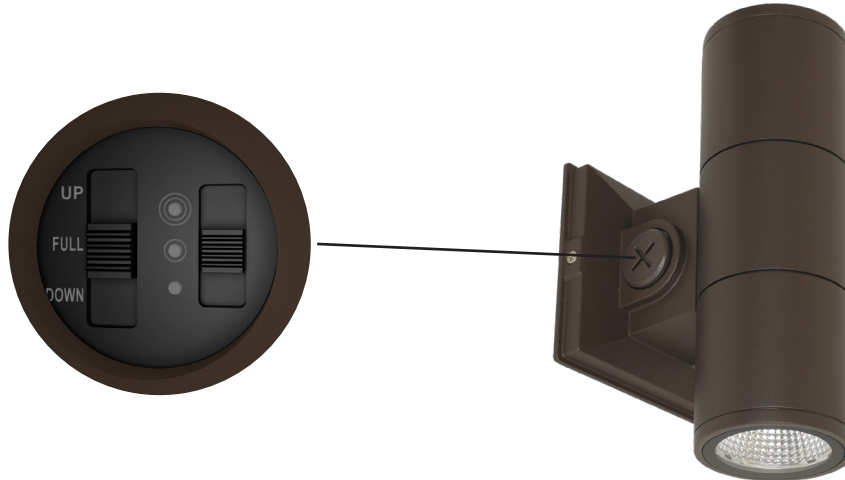




DIP Switch Setting

DIP Switch For Wattage And Light Option

Factory default setting :
Wattage: High Power
Light option: FULL



DIP Switch For CCT And Photocell

Factory default setting :
CCT: 4000K
Photocell: OFF

