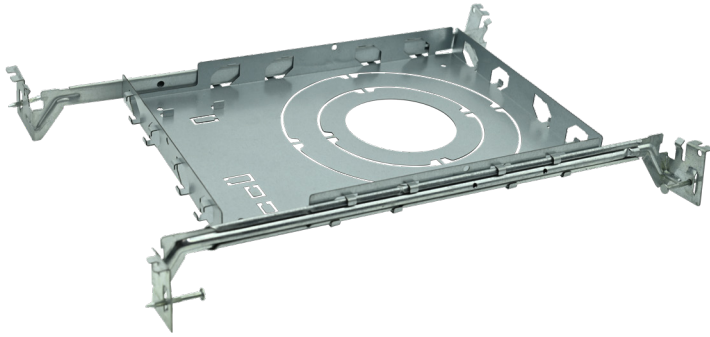




PROJECT	TYPE	CATALOG #



Material

- Galvanized iron

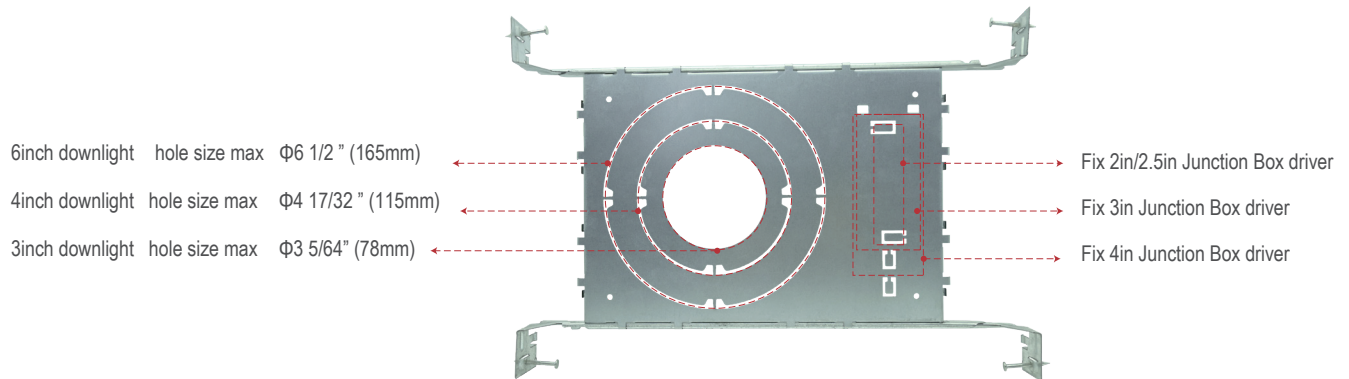
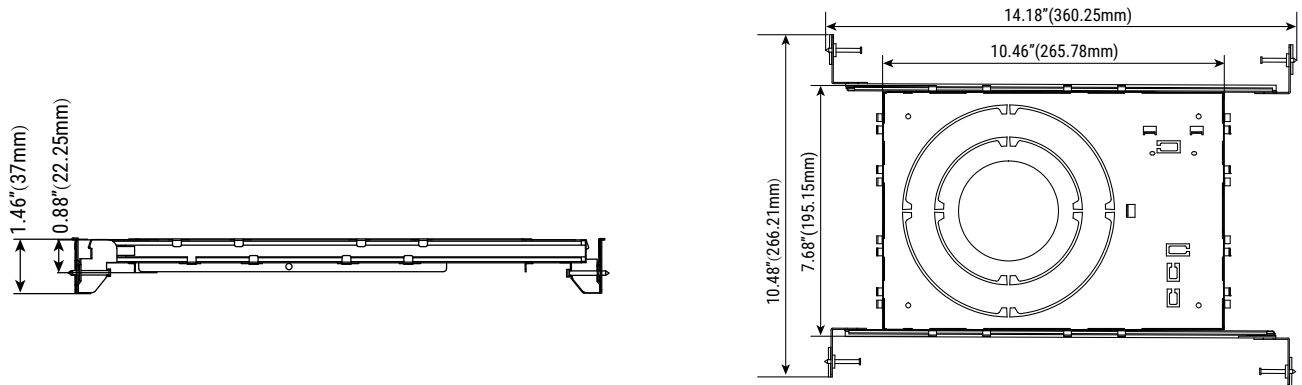
Features

- Suitable for light type: 3 / 4 / 6 inch downlight
- Compatible with 3 types of hole size.
- Equipped with a power card slot, easy to install.
- Bar hangers extendable from 14.25" to 25".

Mounting

- Recessed.
- Suitable for both new construction joist and T-Grid applications.

MEASUREMENTS



REFERENCE COMPATIBLE WITH THE FOLLOWING RECESSED FIXTURES

SERIES	MODEL		
	FPR	FPR3-4L-KFS	FPR4-6L-KFS
CDR	CDR4-1L-LKFS	CDR6-2L-LKFS	-
IMODCR	IMODCR4-8L-LFS	IMODCR6-12L-KFS	-