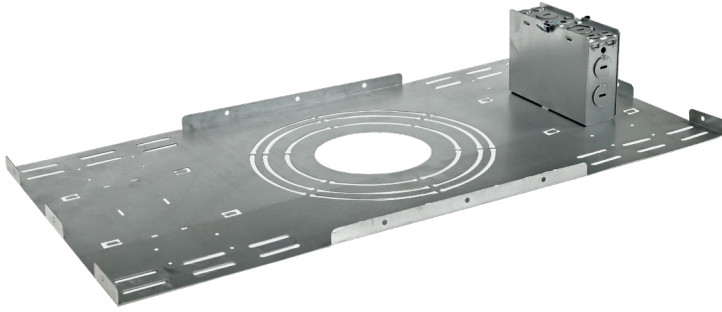




PROJECT	TYPE	CATALOG #



### Material

- Galvanized iron

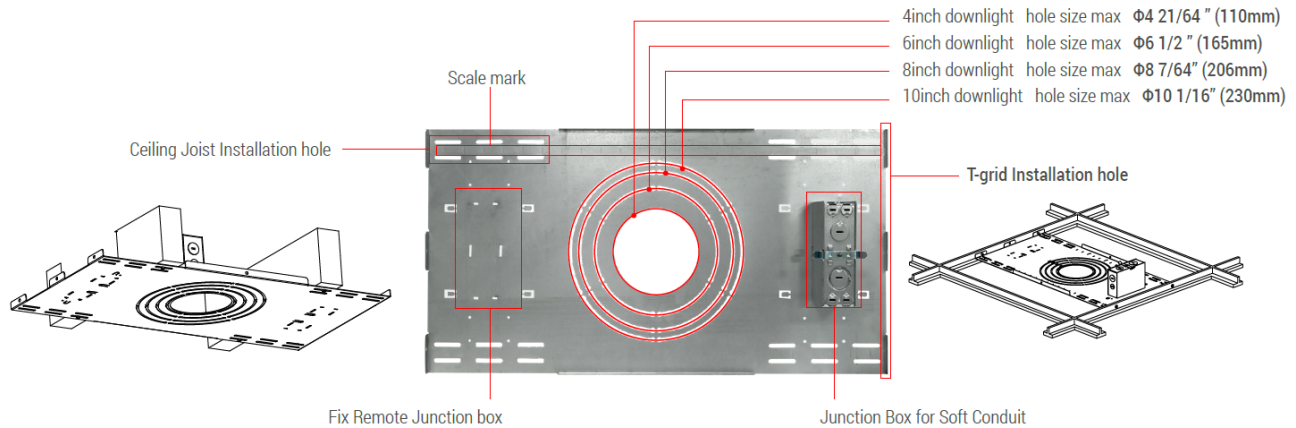
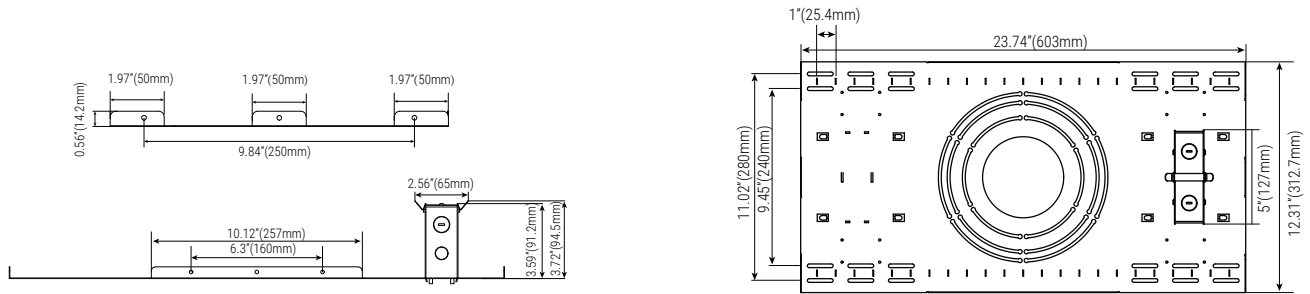
### Features

- Suitable for light type: 4 / 6 / 8 / 10 inch downlight
- Compatible with 4 types of hole size.
- Equipped with a J-box or mounting slots for integrated j-box fixtures.

### Mounting

- Recessed.
- Suitable for both new construction joist and T-Grid applications.

## MEASUREMENTS



## REFERENCE COMPATIBLE WITH THE FOLLOWING RECESSED FIXTURES

SERIES	MODEL			
11-FPR	11-FPR4-6L-KFS	11-FPR6-10L-KFS	11-FPR8-14L-KFS	-
11-CDR	11-CDR4-1L-LKFS	11-CDR6-2L-LKFS	11-CDR8-5L-LKFS	11-CDR10-5L-LKFS
11-IMODCR	11-IMODCR4-8L-LFS	11-IMODCR6-12L-KFS	-	-