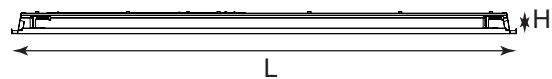
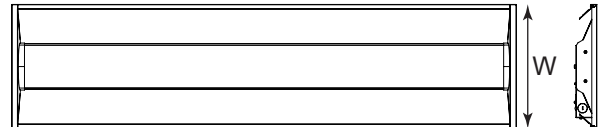




PROJECT	TYPE	CATALOG #



Model	Size (inches) & Weight (lbs)			
	L (in)	W (in)	H (in)	Weight
05-CB14-4L-LKFS	47.76	11.73	2.12	4.49

SERIES	NOMINAL LUMEN OUTPUT (Selectable)	KELVIN (Selectable)
05-CB14	4L = 5,000 / 4,000 / 3,000 lm	LKFS* 3500K / 4000K / 500K

* Field Selectable.

Specifications

Housing

- Premium powder-coat, steel, white housing.

Electrical

- Operating temperature (ambient): -20°C to 50°C (-4°F to 122°F).
- Universal 120-277V AC voltage (50-60Hz) is standard.
- 0-10VDC, continuous dimming capability drivers are standard.
- Type IC rated for insulated ceilings.
- Inherently protected.
- Uniform illumination with no visible LED pixilation.
- Input transient surge protection = 1.0 kV.
- Power factor > 0.90.
- Total Harmonic distortion < 20%.

Optical System

- Frosted polycarbonate lens.
- Field selectable 3500k(warm white), 4000k (neutral white) and 5000k (cool white) color temperatures*.
- Selectable output provides 3,309 to 4,345 nominal lumens*.
- Long-life LEDs provide 180,000 hours of operation with at least 70% of initial lumen output (L70), and 54,000 hours with at least 90% of initial lumen output (L90)**.
- LED color maintenance < -0.0007 chromaticity shift ($\Delta u'v'$) over the initial 6,000 hours of operation.
- Color rendering index > 80.

Mounting***

- Recessed mounting in grid ceilings is standard.
- Standard earthquake clips provide secure installation in grid ceilings.
- Optional Surface Mounting Kits (05-SMKT-14) and Flange Mounting Kits (05-LEDPNL-RMKT14) provide for installation on plaster or other hard ceilings.
- Optional Cable Mounting Kits (05-PNL-CM) provide additional security, as well as suspended mounting.

Code Compliance

- cULus listed for damp locations.
- UL listed for maximum of 4.12AWG through branch circuit conductor.
- Complies with FCC part 15, class A.

Warranty

- 5-year warranty on all electronics and housing.

* Default kelvin temperature = 4000k and highest lumen output.

**L₇₀ & L₉₀ hours are IES TM-21-11 calculated hours.

***See accessories section for mounting accessories.



Accessories (order separately)

Mounting Option:

- 05-SMKT-14 = Compatible Surface Mount Kit for 05-CB14-4L-LKFS.
- 5-LEDPNL-RMKT14 = Compatible Recessed Flange Mount Kit for 05-CB14-4L-LKFS.
- 05-PNL-CM = Set Of (4) 1 Meter Cables For Suspending 05-CB14-4L-LKFS.

Remote Mount EM Drivers:

- 03-BLEM-CP-5C = 5W Emergency Driver W/Conduit and Test Button
- 03-BLEM-CP-10C = 10W Emergency Driver W/Conduit and Test Button
- 03-BLEM-CP-13C = 13W Emergency Driver W/Conduit and Test Button

Compatible Dimmers & Controls

Manufacturer	Model Number	Dimmer Range	Load Switching Capacity
Best Lighting	DWS-010V-T	10%-100%	600W
Best Lighting	DWS-010V-D	10%-100%	600W
Leviton	IP710-LFZ	10%-100%	1200W
Lutron	DVSTV	10%-100%	450W



Lumen Table & Electrical Data

Series	Measurements	High			Mid			Low			
		3500K	4000K	5000K	3500K	4000K	5000K	3500K	4000K	5000K	
05-CB14-4L-LKFS	Lumens	4,239	4,345	4,257	3,930	4,105	4,028	3,309	3,444	3,396	
	Watts	33	32	33	30.15	28.92	30	24.76	23.9	24.68	
	Efficacy	127	137	128	130.35	141.94	134.27	133.64	144.10	137.60	
	Input Current (A)	120V	0.28	0.26	0.28	0.25	0.24	0.25	0.21	0.20	0.21
		240V	0.14	0.13	0.14	0.13	0.12	0.13	0.10	0.10	0.10
277V		0.12	0.11	0.12	0.11	0.10	0.11	0.09	0.09	0.09	

Photometric Data

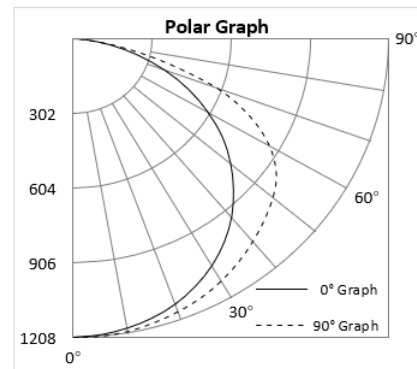
05-CB14-4L-LKFS

Luminaire Data

Description	1X4 Center Basket Lumen and Kelvin Select
Total Lumens	4,225
Input Wattage	33
Efficacy (lm/W)	126
Spacing Criterion (0-180°)	1.32
Spacing Criterion (90-270°)	1.42

Zonal Lumen Summary

Zone	Lumens	%Fixt
0-20°	449	10.6%
0-30°	973	23.0%
0-40°	1,637	38.7%
20-50°	1,926	45.6%
40-70°	2,114	50.0%
0-60°	3,116	73.7%
0-80°	4,133	97.8%
0-90°	4,213	99.7%
90-180°	12	0.3%
0-180°	4,225	100.0%

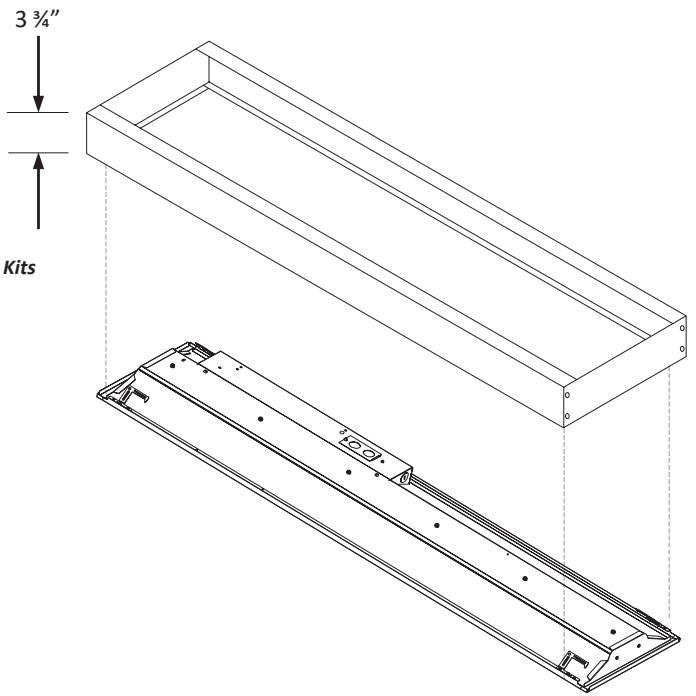


Photometrics based on 35K CCT and set to highest lumen output.

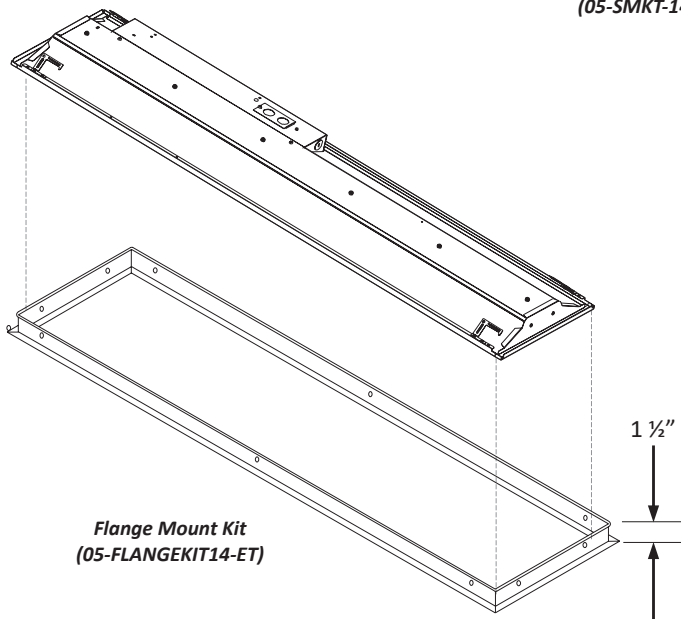


Mounting Means - Order Separately

- Optional Surface Mounting Kit (05-SMKT-14) mounts below the ceilings.
- Optional flange mounting kits provide for recessed installation on plaster or other hard ceilings. Attached Flange Mount Kit (5-LEDPNL-RMKT14) to ceiling joists or other stationary structures, and the panel is mounted flush to the ceiling. Optional cable mounting kits provide additional security, as well as suspended mounting. Attach one end of the Cable Mount Kit (05-PNL-CM) to luminaire earthquake clips using spring clips, and attach the other end to stationary structures using the adjustable, locking ceiling attachment (see picture below right).



Surface Mounting Kits
(05-SMKT-14)



Flange Mount Kit
(05-FLANGEKIT14-ET)

